



BALLAST SPECIFICATION

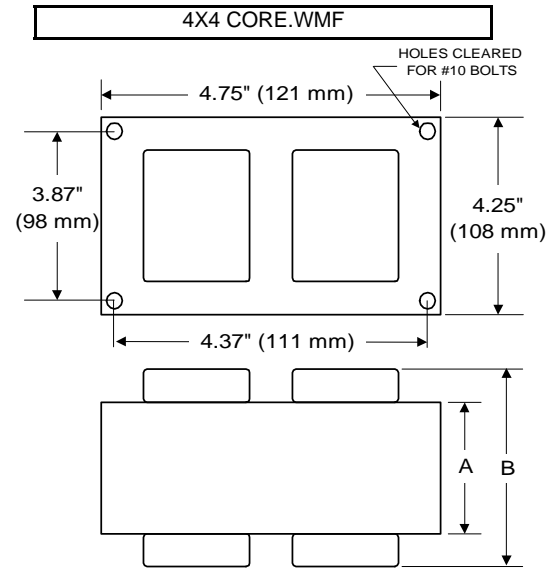
400W M59

Metal Halide

V90D6414

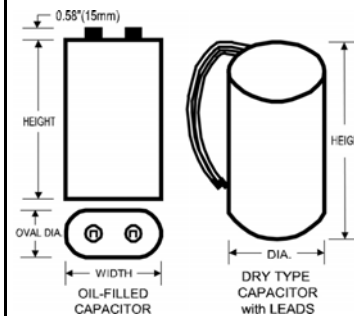
60 Hz CWA

Input Volts	120	208	240	277
Line Current (Amps)				
Operating	3.95	2.30	2.00	1.75
Open Circuit	3.30	2.05	1.75	1.60
Starting	2.85	1.55	1.40	1.25
Recommended Fuse (Amps)	10	6	5	5
Regulation				
Line Volts	±10%	±10%	±10%	±10%
Lamp Watts	±9%	±9%	±9%	±9%
Temperature Ratings				
Insulation Class	180 (H)	180 (H)	180 (H)	180 (H)
Coil Temperature Code	D	E	E	E
Benchtop Coil Rise	89.3	93.5	92.6	94.0
Power Factor (Min) HPF	90	90	90	90
Input Watts	458 W	458 W	458 W	458 W
Efficiency	87%	87%	87%	87%
NOM. Open Circuit Voltage	310	310	310	310
Input Voltage At Lamp Dropout	45	75	85	95
Min Ambient Starting Temp	-20°F/-30°C	-20°F/-30°C	-20°F/-30°C	-20°F/-30°C
60 HZ TEST PROCEDURES				
High Potential Test (Volts)				
1 Minute	1,700 V	1,700 V	1,700 V	1,700 V
1 Second	2,000 V	2,000 V	2,000 V	2,000 V
Open Circuit Voltage Test (V)	280 - 350	280 - 350	280 - 350	280 - 350
Short Circuit Current Test (A)				
Secondary Current				
Min	3.50	3.50	3.50	3.50
Max	4.25	4.25	4.25	4.25
Input Current				
Min	2.25	1.25	1.10	0.95
Max	3.35	1.85	1.65	1.40
CORE and COIL Specifications				
Dimension (A)	2.00 in	2.00 in	2.00 in	2.00 in
Dimension (B)	4.10 in	4.10 in	4.10 in	4.10 in
Weight	10.0 lb's	10.0 lb's	10.0 lb's	10.0 lb's
Lead Lengths	12 "	12 "	12 "	12 "
Capacitor Requirement				
Microfarads	24.0 uf	24.0 uf	24.0 uf	24.0 uf
Volts (Min)	360 V	360 V	360 V	360 V



Capacitor: ACB2470V / ACG247 Ignitor: None

Microfarads: 24.0 uf 24.0 uf
 Volts (Max): 400 V 400 V
 Case Temp (Max): 100 °C 100 °C
 Height (Max): 3.19 in 4.68 in
 Dia (Max): 1.97 in 1.82 in
 Oval Width (Max): 2.97 in



This Ballast Does Not Require An Ignitor

Ordering Information Add Suffix for options

- C - With Oil-Filled Capacitor
- CB - With Oil-Filled Capacitor and Welded Bracket
- B - With Welded Bracket, no Capacitor
- K - Prewired, with Dry Capacitor and Bracket Kit
- D - With Dry Capacitor
- DB - With Dry Capacitor and Welded Bracket

Data is based upon tests performed by Venture Lighting in a controlled environment and is representative of relative performance. Actual performance can vary depending on operating conditions. Specifications are subject to change without notice.

12/7/2010 Production Coil material: primary Al and secondary Al

