



BALLAST SPECIFICATION

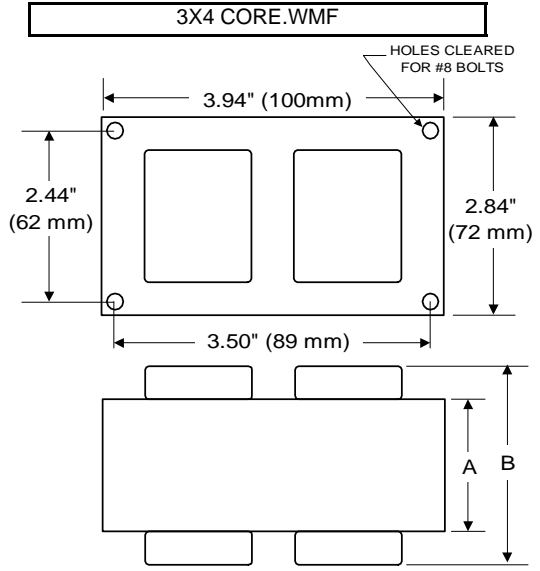
175W M57 / M107

Metal Halide

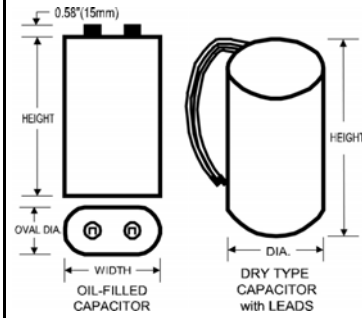
V90D6112

60 Hz CWA C&C

Input Volts	120	208	240	277
Line Current (Amps)				
Operating	1.85	1.10	0.90	0.80
Open Circuit	1.45	0.90	0.75	0.70
Starting	1.40	0.80	0.70	0.65
Recommended Fuse (Amps)	5	3	3	3
Regulation				
Line Volts	±10%	±10%	±10%	±10%
Lamp Watts	±10%	±10%	±10%	±10%
Temperature Ratings				
Insulation Class	180 (H)	180 (H)	180 (H)	180 (H)
Coil Temperature Code	B	C	C	C
Benchtop Coil Rise	77.4	80.1	80.1	81.9
Power Factor (%) HPF	90	90	90	90
Input Watts	215 W	215 W	215 W	215 W
Efficiency				
NOM. Open Circuit Voltage	320	320	320	320
Input Voltage At Lamp Dropout	55	90	95	120
Min Ambient Starting Temp	-20°F/-30°C	-20°F/-30°C	-20°F/-30°C	-20°F/-30°C
60 HZ TEST PROCEDURES				
High Potential Test (Volts)				
1 Minute	1,650 V	1,650 V	1,650 V	1,650 V
1 Second	2,000 V	2,000 V	2,000 V	2,000 V
Open Circuit Voltage Test (V)	290 - 360	290 - 360	290 - 360	290 - 360
Short Circuit Current Test (A)				
Secondary Current				
Min	1.55	1.55	1.55	1.55
Max	1.95	1.95	1.95	1.95
Input Current				
Min	1.05	0.60	0.50	0.45
Max	1.65	0.95	0.85	0.70
CORE and COIL Specifications				
Dimension (A)	2.40 in	2.40 in	2.40 in	2.40 in
Dimension (B)	3.80 in	3.80 in	3.80 in	3.80 in
Weight	7.0 lb's	7.0 lb's	7.0 lb's	7.0 lb's
Lead Lengths	12 "	12 "	12 "	12 "
Capacitor Requirement				
Microfarads	10.0 uf	10.0 uf	10.0 uf	10.0 uf
Volts (Min)	400 V	400 V	400 V	400 V



Capacitor:	ACB2790V / ACG279	Ignitor:	None
Microfarads:	10.0 uf	10.0 uf	
Volts (Max):	400 V	400 V	
Case Temp (Max):	100 °C	100 °C	
Height (Max):	2.75 in	3.68 in	
Dia (Max):	1.62 in	1.61 in	
Oval Width (Max):	2.75 in		



This Ballast Does Not Require An Ignitor

Ordering Information Add Suffix for options
 C - With Oil-Filled Capacitor
 CB - With Oil-Filled Capacitor and Welded Bracket
 B - With Welded Bracket, no Capacitor
 K - Prewired, with Dry Capacitor and Bracket Kit
 D - With Dry Capacitor
 DB - With Dry Capacitor and Welded Bracket

Data is based upon tests performed by Venture Lighting in a controlled environment and is representative of relative performance. Actual performance can vary depending on operating conditions. Specifications are subject to change without notice.

1/25/2012 Production Coil material: primary Cu and secondary Al



RoHS

