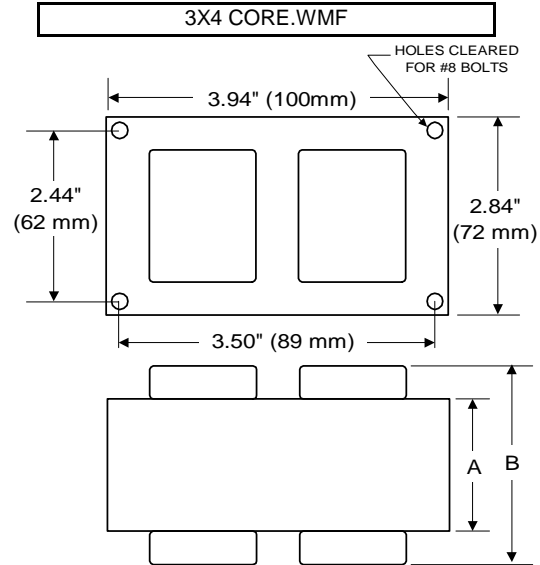


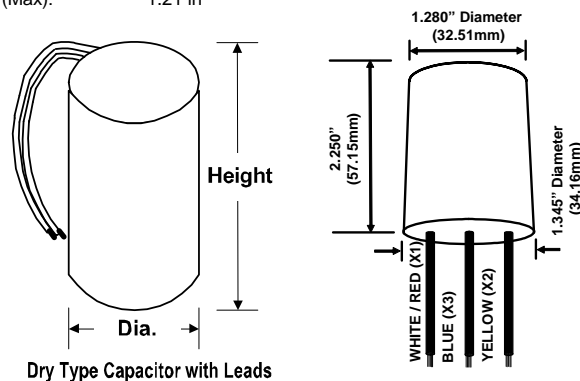
**BALLAST SPECIFICATION**

**70W M98**  
**Pulse Start Metal Halide**  
**V90J5832**  
**60 Hz HX-HPF**

<b>Input Volts</b>	120	277	347
<b>Line Current ( Amps )</b>			
Operating	0.80	0.35	0.30
Open Circuit	1.70	0.70	0.60
Starting	0.70	0.30	0.25
<b>Recommended Fuse (Amps)</b>	4	2	2
<b>Regulation</b>			
Line Volts	±5%	±5%	±5%
Lamp Watts	±10%	±10%	±10%
<b>Temperature Ratings</b>			
Insulation Class	180 (H)	180 (H)	180 (H)
Coil Temperature Code	A	A	A
Benchtop Coil Rise	66.6	67.2	63.1
<b>Power Factor (Min)</b>	90%	90%	90%
<b>Input Watts</b>	90 W	90 W	90 W
<b>Efficiency</b>			
<b>NOM. Open Circuit Voltage</b>	255	255	255
<b>Input Voltage At Lamp Dropout</b>	85	195	245
<b>Min Ambient Starting Temp</b>	-20°F/-30°C*	-20°F/-30°C*	-20°F/-30°C*
<b>60 HZ TEST PROCEDURES</b>			
<b>High Potential Test (Volts)</b>			
1 Minute	2,000 V	2,000 V	2,000 V
1 Second	2,500 V	2,500 V	2,500 V
<b>Open Circuit Voltage Test (V)</b>	230 - 280	230 - 280	230 - 280
<b>Short Circuit Current Test (A)</b>			
Secondary Current	Min 1.00 Max 1.25	Min 1.00 Max 1.25	Min 1.00 Max 1.25
Input Current	Min 0.75 Max 1.10	Min 0.30 Max 0.45	Min 0.25 Max 0.40
<b>CORE and COIL Specifications</b>			
Dimension (A)	1.45 in	1.45 in	1.45 in
Dimension (B)	2.85 in	2.85 in	2.85 in
Weight	4.9 lb's	4.9 lb's	4.9 lb's
Lead Lengths	12"	12"	12"
<b>Capacitor Requirement</b>			
Microfarads	8.0 uf	8.0 uf	8.0 uf
Volts (Min)	280 V	280 V	280 V



<b>Capacitor:</b>	ACG310	<b>Ignitor:</b>	BVS-032
Microfarads:	8.0 uf	Case Temp (Max):	105 °C
Volts (Max):	280 V	BTL Distance (Max):	2 ft
Case Temp (Max):	100 °C		
Height (Max):	2.76 in		
Dia (Max):	1.21 in		



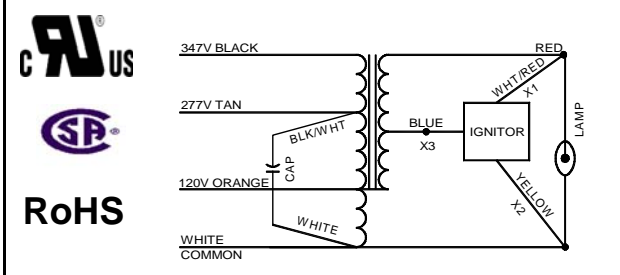
**Ordering Information**    Add Suffix for options

C - With Capacitor  
 K - Prewired, with Capacitor and Bracket Kit  
 B - With Welded Bracket, no cap  
 CB - With Capacitor and Welded Bracket

\* -40°F/-40°C Min Ambient Starting Temp with Venture Lamp  
 Coil material: primary Cu and secondary Cu

RoHS compliant on all manufactured products after August 1, 2007

Data is based upon tests performed by Venture Lighting in a controlled environment and is representative of relative performance. Actual performance can vary depending on operating conditions. Specifications are subject to change without notice.



**11/24/2008    Production**