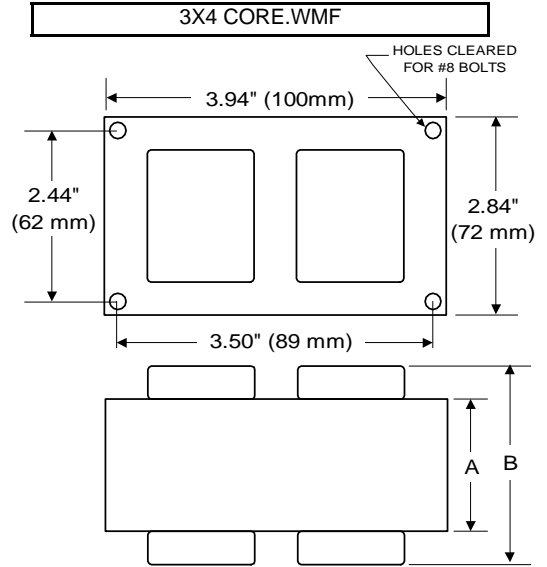


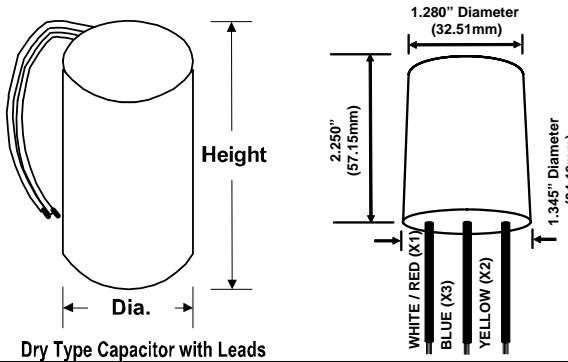
**BALLAST SPECIFICATION**

**100W M90**  
**Pulse Start Metal Halide**  
**V90D5932**  
**60 Hz HX-HPF**

<b>Input Volts</b>	120	208	240	277
<b>Line Current ( Amps )</b>				
Operating	1.10	0.65	0.55	0.50
Open Circuit	2.60	1.50	1.30	1.15
Starting	1.00	0.60	0.50	0.45
<b>Recommended Fuse (Amps)</b>	7	4	4	3
<b>Regulation</b>				
Line Volts	±5%	±5%	±5%	±5%
Lamp Watts	±10%	±10%	±10%	±10%
<b>Temperature Ratings</b>				
Insulation Class	180 (H)	180 (H)	180 (H)	180 (H)
Coil Temperature Code	A	A	A	A
Benchtop Coil Rise	70.1	69.8	65.9	71.8
<b>Power Factor (Min)</b>	90%	90%	90%	90%
<b>Input Watts</b>	125 W	125 W	125 W	125 W
<b>Efficiency</b>				
<b>NOM. Open Circuit Voltage</b>	270	270	270	270
<b>Input Voltage At Lamp Dropout</b>	80	140	160	185
<b>Min Ambient Starting Temp</b>	-20°F/-30°C*	-20°F/-30°C*	-20°F/-30°C*	-20°F/-30°C*
<b>60 HZ TEST PROCEDURES</b>				
<b>High Potential Test (Volts)</b>				
1 Minute	1,600 V	1,600 V	1,600 V	1,600 V
1 Second	1,900 V	1,900 V	1,900 V	1,900 V
<b>Open Circuit Voltage Test (V)</b>	240 - 300	240 - 300	240 - 300	240 - 300
<b>Short Circuit Current Test (A)</b>				
Secondary Current	Min 1.20 Max 1.50	Min 1.20 Max 1.50	Min 1.20 Max 1.50	Min 1.20 Max 1.50
Input Current	Min 0.40 Max 0.75	Min 0.25 Max 0.45	Min 0.20 Max 0.40	Min 0.15 Max 0.35
<b>CORE and COIL Specifications</b>				
Dimension (A)	1.70 in	1.70 in	1.70 in	1.70 in
Dimension (B)	3.10 in	3.10 in	3.10 in	3.10 in
Weight	5.2 lb's	5.2 lb's	5.2 lb's	5.2 lb's
Lead Lengths	12 "	12 "	12 "	12 "
<b>Capacitor Requirement</b>				
Microfarads	12.0 uf	12.0 uf	12.0 uf	12.0 uf
Volts (Min)	280 V	280 V	280 V	280 V



<b>Capacitor:</b>	ACG321	<b>Ignitor:</b>	BVS-032
Microfarads:	12.0 uf	Case Temp (Max):	105 °C
Volts (Max):	330 V	BTL Distance (Max)	2 ft
Case Temp (Max)	100 °C		
Height (Max):	2.76 in		
Dia (Max):	1.62 in		



**Ordering Information** Add Suffix for options

- C - With Capacitor
- K - Prewired, with Capacitor and Bracket Kit
- B - With Welded Bracket, no cap
- CB - With Capacitor and Welded Bracket

\* -40°F/-40°C Min Ambient Starting Temp with Venture Lamp  
 Coil material: primary Cu and secondary Al

RoHS compliant on all manufactured products after August 1, 2007

Data is based upon tests performed by Venture Lighting in a controlled environment and is representative of relative performance. Actual performance can vary depending on operating conditions. Specifications are subject to change without notice.

**8/25/2009 Production**



**RoHS**

