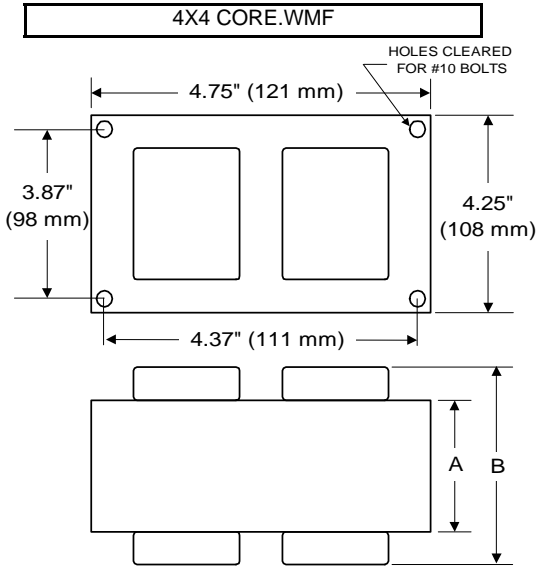




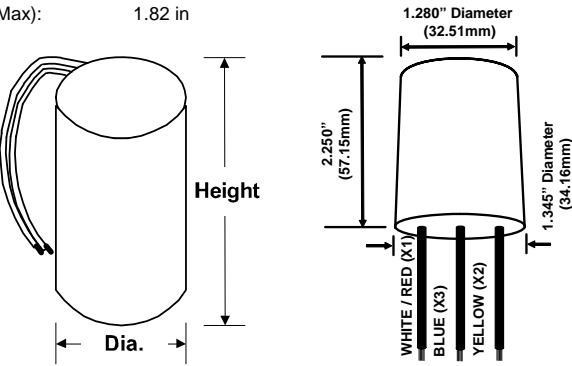
**BALLAST SPECIFICATION**

**400W S51**  
**High Pressure Sodium**  
**V90J1911**  
**60 Hz CWA**

<b>Input Volts</b>	120	277	347
<b>Line Current ( Amps )</b>			
Operating	3.80	1.70	1.30
Open Circuit	1.50	0.65	0.55
Starting	3.30	1.40	1.15
<b>Recommended Fuse (Amps)</b>	10	5	4
<b>Regulation</b>			
Line Volts	±10%	±10%	±10%
Lamp Watts	±13%	±13%	±13%
<b>Temperature Ratings</b>			
Insulation Class	180 (H)	180 (H)	180 (H)
Coil Temperature Code	C	C	D
Benchtop Coil Rise	83.0	83.5	85.5
<b>Power Factor (Min)</b>	HPF 90	90	90
<b>Input Watts</b>	460 W	460 W	460 W
<b>Efficiency</b>			
<b>NOM. Open Circuit Voltage</b>	185	185	185
<b>Input Voltage At Lamp Dropout</b>	85	195	245
<b>Min Ambient Starting Temp</b>	-40°F/-40°C	-40°F/-40°C	-40°F/-40°C
<b>60 HZ TEST PROCEDURES</b>			
<b>High Potential Test (Volts)</b>			
1 Minute	2,000 V	2,000 V	2,000 V
1 Second	2,400 V	2,400 V	2,400 V
<b>Open Circuit Voltage Test (V)</b>	165 - 205	165 - 205	165 - 205
<b>Short Circuit Current Test (A)</b>			
Secondary Current			
Min	5.85	5.85	5.85
Max	7.15	7.15	7.15
Input Current			
Min	2.60	1.15	0.90
Max	4.00	1.75	1.40
<b>CORE and COIL Specifications</b>			
Dimension (A)	2.30 in	2.30 in	2.30 in
Dimension (B)	4.20 in	4.20 in	4.20 in
Weight	14.0 lb's	14.0 lb's	14.0 lb's
Lead Lengths	12 "	12 "	12 "
<b>Capacitor Requirement</b>			
Microfarads	55.0 uf	55.0 uf	55.0 uf
Volts (Min)	240 V	240 V	240 V



<b>Capacitor:</b>	ACG255	<b>Ignitor:</b>	BVS-005-A
Microfarads:	55.0 uf	Case Temp (Max):	105 °C
Volts (Max):	280 V	BTL Distance (Max):	2 ft
Case Temp (Max):	100 °C		
Height (Max):	5.39 in		
Dia (Max):	1.82 in		

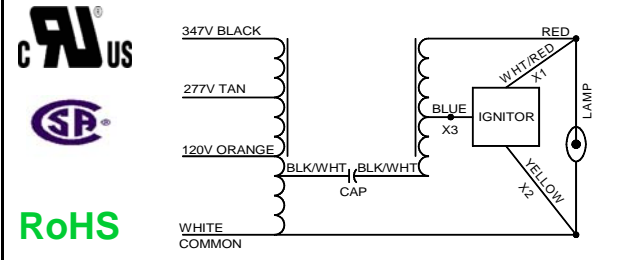


Dry Type Capacitor with Leads

**Ordering Information**    Add Suffix for options  
 C - With Dry Capacitor  
 CB - With Dry Capacitor and Welded Bracket  
 B - With Welded Bracket, no Capacitor  
 K - Prewired, with Dry Capacitor and Bracket Kit

Data is based upon tests performed by Venture Lighting in a controlled environment and is representative of relative performance. Actual performance can vary depending on operating conditions. Specifications are subject to change without notice.

**3/6/2007**    **Production**    Coil material: primary Cu and secondary Cu



**RoHS**