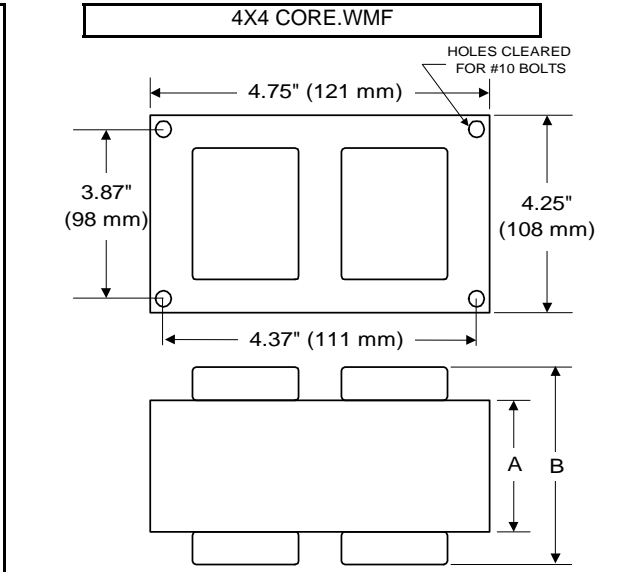




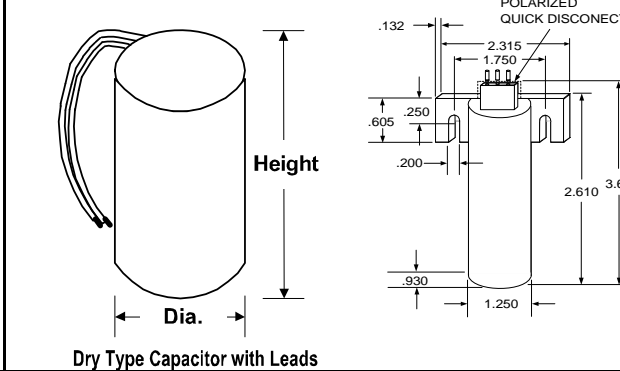
**BALLAST SPECIFICATION**

**400W S51**  
**High Pressure Sodium**  
**V90AS1950**  
**60 Hz CWI C&C**

<b>Input Volts</b>	600	347
<b>Line Current ( Amps )</b>		
Operating	0.80	1.40
Open Circuit	0.25	0.40
Starting	0.50	0.90
<b>Recommended Fuse (Amps)</b>	2	4
<b>Regulation</b>		
Line Volts	±10%	±10%
Lamp Watts	±6%	±6%
<b>Temperature Ratings</b>		
Insulation Class	180 (H)	180 (H)
Coil Temperature Code	D	H
Benchtop Coil Rise	85.1	108.2
<b>Power Factor (Min) HPF</b>	90	90
<b>Input Watts</b>	450 W	450 W
<b>Efficiency</b>		
<b>NOM. Open Circuit Voltage</b>	190	190
<b>Input Voltage At Lamp Dropout</b>	290	180
<b>Min Ambient Starting Temp</b>	-40°F/-40°C	-40°F/-40°C
<b>60 HZ TEST PROCEDURES</b>		
<b>High Potential Test (Volts)</b>		
1 Minute	2,200 V	2,200 V
1 Second	2,650 V	2,650 V
<b>Open Circuit Voltage Test (V)</b>	170 - 210	170 - 210
<b>Short Circuit Current Test (A)</b>		
Secondary Current	Min 5.35 Max 6.55	Min 5.35 Max 6.55
Input Current	Min 0.25 Max 0.35	Min 0.25 Max 0.35
<b>CORE and COIL Specifications</b>		
Dimension (A)	2.45 in	2.45 in
Dimension (B)	4.30 in	4.30 in
Weight	14.6 lb's	14.6 lb's
Lead Lengths	12 "	12 "
<b>Capacitor Requirement</b>		
Microfarads	45.0 uf	45.0 uf
Volts (Min)	270 V	270 V



<b>Capacitor:</b>	ACG222	<b>Ignitor:</b>	BVS-005
Microfarads:	45.0 uf	Case Temp (Max):	105 °C
Volts (Max):	330 V	BTL Distance (Max):	2 ft
Case Temp (Max):	100 °C		
Height (Max):	4.67 in		
Dia (Max):	1.80 in		



**Ordering Information**    Add Suffix for options  
 C - With Dry Capacitor  
 CB - With Dry Capacitor and Welded Bracket  
 B - With Welded Bracket, no Capacitor  
 K - Prewired, with Dry Capacitor and Bracket Kit

Data is based upon tests performed by Venture Lighting in a controlled environment and is representative of relative performance. Actual performance can vary depending on operating conditions. Specifications are subject to change without notice.

**7/11/2011**    **Production**    Coil material: primary Cu and secondary Cu

