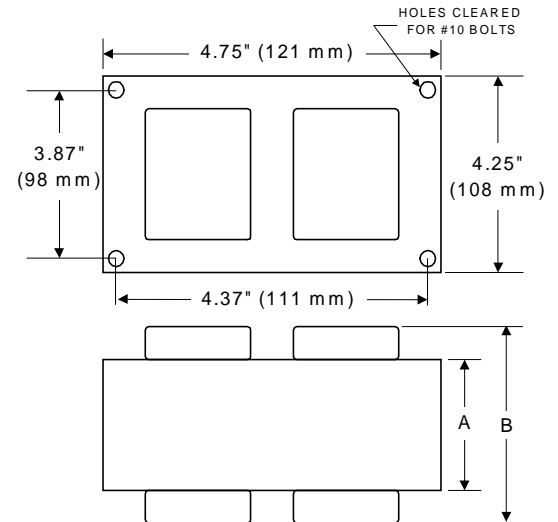


250W S50
High Pressure Sodium
V90J1711
60 Hz CWA

Input Volts	120	277	347
Line Current (Amps)			
Operating	2.70	1.15	0.95
Open Circuit	1.80	0.80	0.60
Starting	2.00	0.85	0.70
Regulation			
Line Volts	±10%	±10%	±10%
Lamp Watts	±13%	±13%	±13%
UL Temperature Ratings			
Insulation Class	H	H	H
Coil Temperature Code	B	A	B
Benchtop Coil Rise	75.8	74.6	76.0
Input Watts	295 W	295 W	295 W
NOM. Open Circuit Voltage	200	200	200
Power Factor	90%	90%	90%
Current Crest Factor	1.65	1.65	1.65
Input Voltage At Lamp Dropout	85	195	245
MIN. Ambient Starting Temp.	-40°F -40°C	-40°F -40°C	-40°F -40°C
60 HZ TEST PROCEDURES			
High Potential Test (Volts)			
1 Minute	2,000 V	2,000 V	2,000 V
1 Second	2,400 V	2,400 V	2,400 V
Open Circuit Voltage Test (V)	180 - 220	180 - 220	180 - 220
Short Circuit Current Test (A)			
Secondary Current Min	3.85	3.85	3.85
Max	4.75	4.75	4.75
Input Current Min	1.45	0.60	0.45
Max	2.25	0.95	0.75
Recommended Fuse (Amps)	7	3	3
CORE and COIL Specifications			
Dimension (A)	1.80 in	1.80 in	1.80 in
Dimension (B)	3.60 in	3.60 in	3.60 in
Weight (lbs.)	11.0 lb's	11.0 lb's	11.0 lb's
Lead Lengths	12"	12"	12"
CAPACITOR Specifications			
Microfarads	35.0 uf	35.0 uf	35.0 uf
Volts (min.)	240 V	240 V	240 V

4X4 CORE - HX, CWA & CWI UNITS

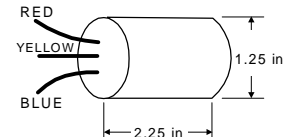
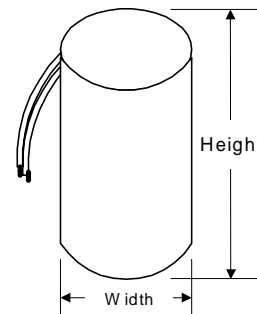


Capacitor: ACG172

Ignitor: BVS-005-A

Temp Rating: 100 °C
Height: 3.92 in
Dia/Oval Dim 1.60 in

Temp: 105 °C
BTL: 2 ft



Plastic Dry Film Capacitor

Ordering Information Add Suffix for options

- C - With Capacitor
- K - With Capacitor and Bracket Kit
- B - With Welded Bracket no cap

Data is based upon tests performed by Venture Lighting in a controlled environment and is representative of relative performance. Actual performance can vary depending on operating conditions. Specifications are subject to change without notice

12/8/00 Production

