

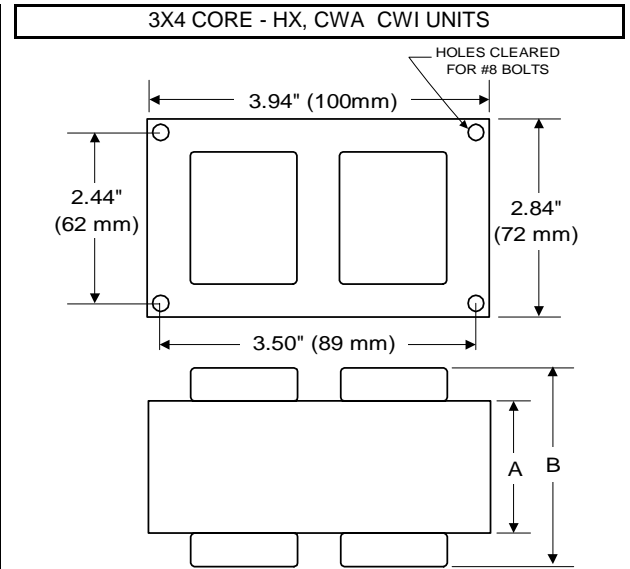
# 150W S55

**High Pressure Sodium**

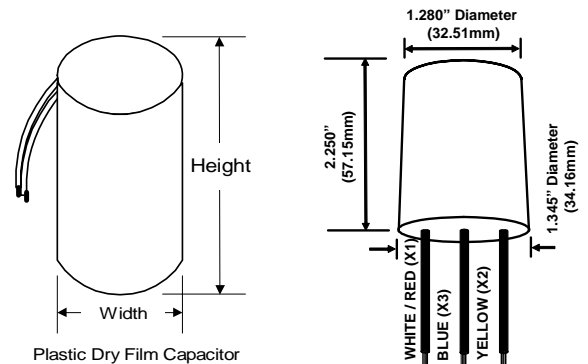
**V90J1434**

**60 Hz HX-HPF**

Input Volts	120	277	347
Line Current ( Amps )			
Operating	1.60	0.65	0.60
Open Circuit	3.15	1.30	1.10
Starting	1.50	0.55	0.55
Regulation			
Line Volts	±5%	±5%	±5%
Lamp Watts	±11%	±11%	±11%
UL Temperature Ratings			
Insulation Class	H	H	H
Coil Temperature Code	D	B	C
Benchtop Coil Rise	89.9	75.6	82.4
Input Watts	185 W	185 W	185 W
NOM. Open Circuit Voltage	130	130	130
Power Factor	90%	90%	90%
Current Crest Factor	1.50	1.50	1.50
Input Voltage At Lamp Dropout	90	210	260
MIN. Ambient Starting Temp.	-40°F -40°C	-40°F -40°C	-40°F -40°C
60 HZ TEST PROCEDURES			
High Potential Test (Volts)			
1 Minute	2,000 V	2,000 V	2,000 V
1 Second	2,500 V	2,500 V	2,500 V
Open Circuit Voltage Test (V)	115 - 145	115 - 145	115 - 145
Short Circuit Current Test (A)			
Secondary Current	Min 3.80	3.80	3.80
Max 4.65	4.65	4.65	4.65
Input Current	Min 1.35	0.45	0.45
Max 2.05	2.05	0.75	0.75
Recommended Fuse (Amps)	8	4	3
CORE and COIL Specifications			
Dimension (A)	2.50 in	2.50 in	2.50 in
Dimension (B)	3.95 in	3.95 in	3.95 in
Weight (lbs.)	8.0 lb's	8.0 lb's	8.0 lb's
Lead Lengths	12"	12"	12"
CAPACITOR Specifications			
Microfarads	13.5 uf	13.5 uf	13.5 uf
Volts (min.)	290 V	290 V	290 V



Capacitor:	ACG160	Ignitor:	BVS-006-A
Value:	13.5 uf	Temp:	105 °C
Temp Rating:	100 °C	BTL:	12 ft
Height:	2.74 in		
Dia/Oval Dim	1.61 in		



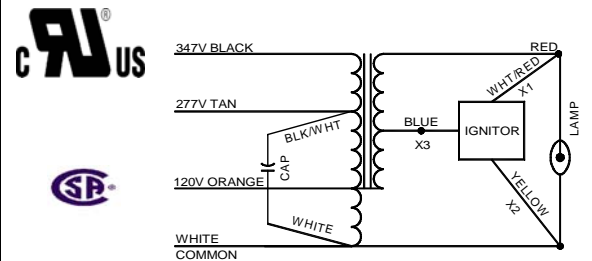
**Ordering Information Add Suffix for options**

- C - With Capacitor
- K - With Capacitor and Bracket Kit
- B - With Welded Bracket no cap

Data is based upon tests performed by Venture Lighting in a controlled environment and is representative of relative performance. Actual performance can vary depending on operating conditions. Specifications are subject to change without notice.

Coil material: primary Cu and secondary Cu

**10/16/2007 Production**



**RoHS** Manufactured after August 1, 2007