

1000W S52

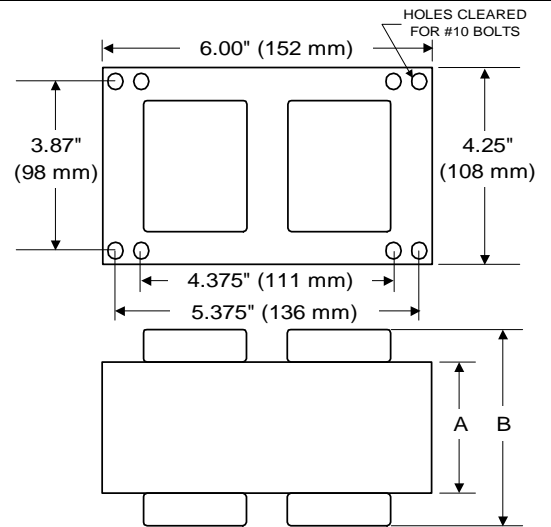
High Pressure Sodium

V90D2315

60 Hz CWA

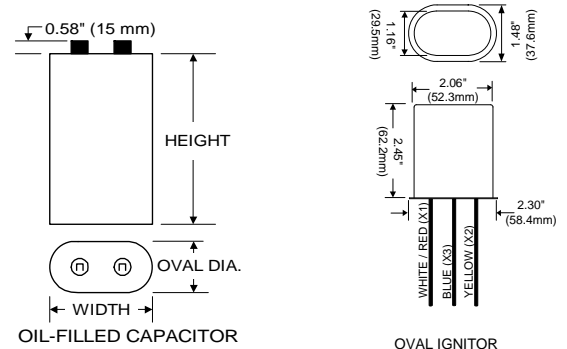
Input Volts	120	208	240	277
Line Current (Amps)				
Operating	9.25	5.10	4.70	4.05
Open Circuit	5.75	2.95	3.15	2.60
Starting	5.75	3.50	2.85	2.50
Regulation				
Line Volts	±10%	±10%	±10%	±10%
Lamp Watts	±10%	±10%	±10%	±10%
UL Temperature Ratings				
Insulation Class	H	H	H	H
Coil Temperature Code	C	C	C	C
Benchtop Coil Rise	82.3	80.7	84.9	84.9
Input Watts	1065 W	1065 W	1065 W	1065 W
NOM. Open Circuit Voltage	415	415	415	415
Power Factor	90%	90%	90%	90%
Current Crest Factor	1.60	1.60	1.60	1.60
Input Voltage At Lamp Dropout	90	160	170	205
MIN. Ambient Starting Temp.	-40°F -40°C	-40°F -40°C	-40°F -40°C	-40°F -40°C
60 HZ TEST PROCEDURES				
High Potential Test (Volts)				
1 Minute	1,850 V	1,850 V	1,850 V	1,850 V
1 Second	2,200 V	2,200 V	2,200 V	2,200 V
Open Circuit Voltage Test (V)	375 - 455	375 - 455	375 - 455	375 - 455
Short Circuit Current Test (A)				
Secondary Current Min	5.95	5.95	5.95	5.95
Max	7.25	7.25	7.25	7.25
Input Current Min	3.90	2.45	1.95	1.75
Max	5.90	3.75	2.95	2.65
Recommended Fuse (Amps)	25	15	12	10
CORE and COIL Specifications				
Dimension (A)	3.80 in	3.80 in	3.80 in	3.80 in
Dimension (B)	5.90 in	5.90 in	5.90 in	5.90 in
Weight (lbs.)	25.5 lb's	25.5 lb's	25.5 lb's	25.5 lb's
Lead Lengths	12"	12"	12"	12"
CAPACITOR Specifications				
Microfarads	26.0 uf	26.0 uf	26.0 uf	26.0 uf
Volts (min.)	480 V	480 V	480 V	480 V

4X6 CORE - HX, CWA CWI UNITS



Capacitor: ACB2640V Ignitor: BVS-020

Value: 26.0 uf Temp: 105 °C
 Temp Rating: 100 °C
 Height: 4.37 in BTL: 5 ft
 Dia/Oval Dim 1.97 in

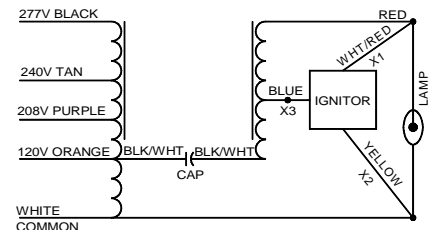


Ordering Information Add Suffix for options

- C - With Capacitor
- K - With Capacitor and Bracket Kit
- B - With Welded Bracket no cap

Data is based upon tests performed by Venture Lighting in a controlled environment and is representative of relative performance. Actual performance can vary depending on operating conditions. Specifications are subject to change without notice.

10/23/2007 Production



RoHS Manufactured after August 1, 2007