

Eco Plus PAR HALOGEN

PAR20, 30, 30LN & 38 LAMPS FOR GENERAL LIGHTING

The USHIO Halogen/Xenon ECO PLUS PAR lamps deliver brilliant, white light that is ideal for hospitality and retail environments. ECO PLUS PAR lamps take traditional PAR lamps to a new level, providing up to 30% energy savings while delivering excellent color rendering properties (100 CRI) for very accurate color discrimination. Since they deliver more lumens per watt and are fully dimmable, they are the cost effective solution for accent and display lighting.

These lamps are available in wattages ranging from 38W to 70W in sizes PAR20, PAR30, Long Neck PAR30 and PAR38 in Flood beam patterns.

ECO PLUS PAR lamps are in compliance with the Energy Independence and Security Act of 2007.

FEATURES & BENEFITS:

- Energy Saving
- Saves Up to 30% More Than Traditional PAR Lamps
- Silver Coated reflector for Improved Collection Efficiency
- Dimmable and Mercury Free
- Meets US Federal Minimum Efficiency Standard

APPLICATIONS:

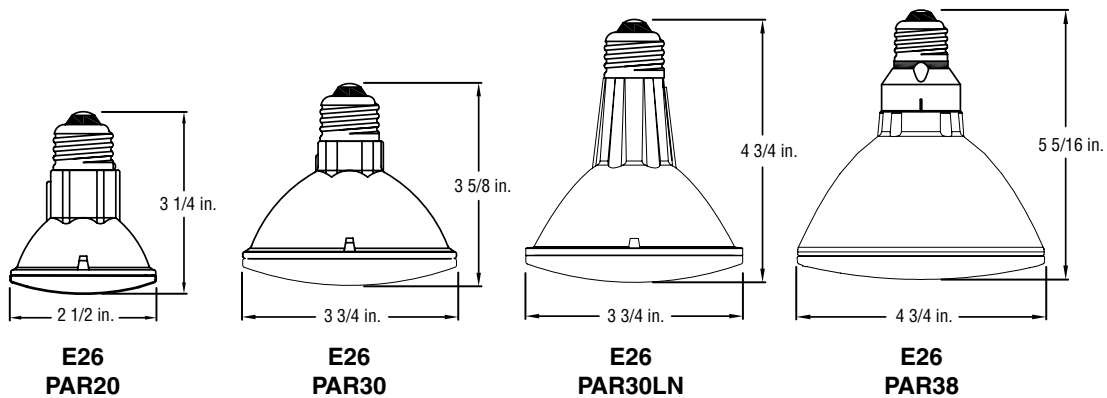
- Retail Store Display Lighting
- Downlights in Offices, Hotels & Retail Establishments
- Accent Lighting
- Track Lighting
- Indoor / Outdoor Flood Lighting



USHIO

ECO PLUS PAR Halogen

Eco Plus PAR20, 30, 30 Long Neck & 38 Lamps For General Lighting



Case Quantity: 15

Watts (W)	Ordering Code	Lamp Description	Volts (V)	Dimensions		Color Temp (K)	Beam Angle	Beam Spread	Approx. Lumens (lm)	Average Life (h)
				Dia (A)	MOL (B)					
ECO PLUS PAR20 Medium Screw Base – E26										
38	1003839	ⓔ 38PAR20/FL30/120V	120	2.50	3.25	2900	30°	Flood	500	2500
ECO PLUS PAR30 Medium Screw Base – E26										
38	1003842	ⓔ 38PAR30/FL30/120V	120	3.75	3.63	2900	30°	Flood	530	2500
60	1003841	ⓔ 60PAR30/FL30/120V	120	3.75	3.63	2900	30°	Flood	1070	2000
ECO PLUS PAR30 LONG NECK Medium Screw Base – E26										
38	1003844	ⓔ 38PAR30LN/FL30/120V	120	3.75	4.75	2900	30°	Flood	520	2500
60	1003843	ⓔ 60PAR30LN/FL30/120V	120	3.75	4.75	2900	30°	Flood	1070	2000
ECO PLUS PAR38 Medium Screw Base – E26										
38	1003847	ⓔ 38PAR38/FL25/120V	120	4.75	5.31	2900	25°	Flood	550	2500
43	1003848	ⓔ 43PAR38/FL25/120V	120	4.75	5.31	2900	25°	Flood	700	2000
60	1003845	ⓔ 60PAR38/FL25/120V	120	4.75	5.31	2900	25°	Flood	1070	2000
70	1003846	ⓔ 70PAR38/FL25/120V	120	4.75	5.31	2900	25°	Flood	1310	2000

ⓔ = This bulb meets US Federal Minimum Efficiency Standard

Only for use in approved Halogen fixtures

WARNING

- DANGER! Halogen lamps operate at extremely high temperatures that can cause serious physical injuries and property damage.
- Only use Halogen lamps in Halogen approved fixtures.
- Do not use Halogen lamps in close proximity of paper, cloth or other combustible materials that can cause a fire hazard.
- Lamps are very fragile. Do not drop, crush, bend or shake them. Vibration or impact will cause filament breakage and short lamp life.
- Never touch the lamp when it is on, or soon after it has been turned off, as it is hot and may cause serious burns.
- Do not look directly at the operating lamp for any period of time; this may cause serious eye injury.
- Always turn off the electrical power before inserting, removing, or cleaning the lamp.
- Affix the lamp securely in the socket. Improper installations will cause electrical arcing, overheating and short life to lamp and socket. Replace lamp holders and sockets when necessary.
- Make sure lamps of specified wattage and voltage are only used in appropriately rated fixtures. Unspecified use will lead to short lamp life, breakage and overheating of fixture.
- Lamps should not be operated beyond the total rated voltage. Avoid the use of dimmers that may drive your lamp over its rated voltage.
- Use an external fuse when required.
- Do not allow one lamp to directly expose another. This may lead to overheating and shortened lamp life.



Scan with a smartphone to view this product online.