

LED60-24V120M-D



Driver Type:	LED Driver	Description:	60W, 0.25-2.50A, 24V DC
Output Mode:	Constant Voltage	Input Voltage:	120 to 277
Protection Function:	Open / Short	Input Frequency:	50 / 60 Hz
Max. Case Temperature:	194°F / 90°C	Warranty:	Five Years

ELECTRICAL SPECIFICATIONS

Output Power (W)	Output Voltage (V)	Max. Output Current (mA)	Input Current (Amps) @120/277 V	
60	24	2500	0.60 / 0.26	
Min. Start Temperature (°F/°C)	Input Power (Watts)	Min. Power Factor	Max. THD (%)	Efficiency (%)
-40 / -40	71	0.95	10	87
Surge Protection (kV)	IP Rating	Dimming Method (V)	Dimming Range (%)	Output Power Range (W)
2	66	0-10	10-100	6-60

REGULATORY COMPLIANCE

- Meets FCC Part 15 Class A for EMI
- Complies with ANSI Standards
- RoHS Compliant
- cRUus Listed

RoHS
compliant 

cRU[®]US
E333021
Class 2

ULTRASAVE LIGHTING LTD.

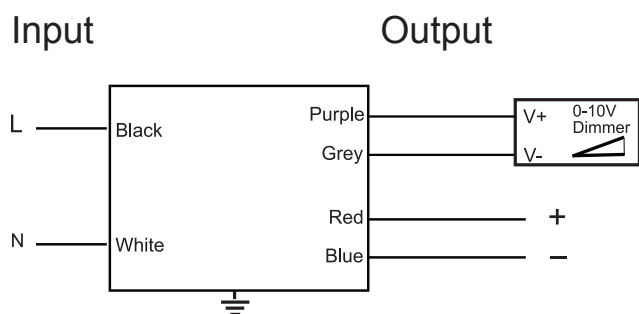
www.ultrasave.ca

TECHNICAL INQUIRY, PLEASE CALL 905.940.0888 OR 1.866.733.9217

Data published here are based on the result of testing under controlled environmental conditions. Actual performance can vary depending on operating conditions. Specifications are subject to change without notice. C2614USL

PHYSICAL CHARACTERISTICS

WIRING DIAGRAM



LEAD LENGTH

Wire	in
Black	5.9
White	5.9
Blue	5.9
Red	5.9
Grey	9.8
Purple	9.8

CASE DIMENSIONS

Overall (L)	9.50"	241 mm
Width (W)	1.70"	43 mm
Height (H)	1.14"	29 mm
Mounting (M)	8.90"	226 mm

ORDERING INFORMATION

Model Number	Quantity/Carton (pcs)	Carton Dimensions (L"xW"xH")	G. Weight (lb)
LED60-24V120M-D	20	11.0 x 10.6 x 9.1	28.7

ULTRASAVE LIGHTING LTD.

www.ultrasave.ca

TECHNICAL INQUIRY, PLEASE CALL 905.940.0888 OR 1.866.733.9217

Data published here are based on the result of testing under controlled environmental conditions. Actual performance can vary depending on operating conditions. Specifications are subject to change without notice. C2614USL