

## LED60-12V120M-D



<b>Driver Type:</b>	LED Driver	<b>Description:</b>	60W, 0.5-5.0A, 12V DC
<b>Output Mode:</b>	Constant Voltage	<b>Input Voltage:</b>	120 to 277
<b>Protection Function:</b>	Open / Short	<b>Input Frequency:</b>	50 / 60 Hz
<b>Max. Case Temperature:</b>	194°F / 90°C	<b>Warranty:</b>	Five Years

## ELECTRICAL SPECIFICATIONS

Output Power (W)	Output Voltage (V)	Max. Output Current (mA)	Input Current (Amps) @120/277 V	
60	12	5000	0.61 / 0.27	
Min. Start Temperature (°F/°C)	Input Power (Watts)	Min. Power Factor	Max. THD (%)	Efficiency (%)
-40 / -40	74	0.95	10	84
Surge Protection (kV)	IP Rating	Dimming Method (V)	Dimming Range (%)	Output Power Range (W)
2	66	0-10	10-100	6-60

## REGULATORY COMPLIANCE

- Meets FCC Part 15 Class A for EMI
- Complies with ANSI Standards
- RoHS Compliant
- cRUus Listed

**RoHS**  
compliant 

**cRUUS**  
E333021  
Class 2

ULTRASAVE LIGHTING LTD.

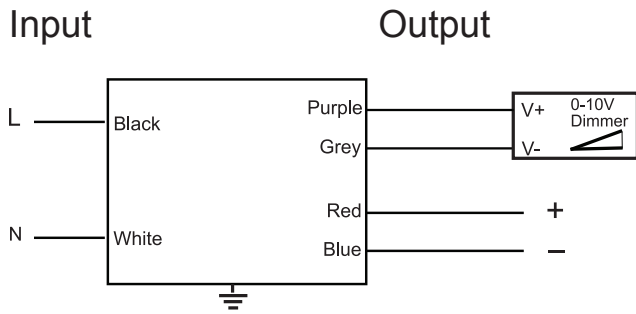
[www.ultrasave.ca](http://www.ultrasave.ca)

TECHNICAL INQUIRY, PLEASE CALL 905.940.0888 OR 1.866.733.9217

Data published here are based on the result of testing under controlled environmental conditions. Actual performance can vary depending on operating conditions. Specifications are subject to change without notice. C2614USL

## PHYSICAL CHARACTERISTICS

### WIRING DIAGRAM



### LEAD LENGTH

Wire	in
Black	5.9
White	5.9
Blue	5.9
Red	5.9
Grey	9.8
Purple	9.8

### CASE DIMENSIONS

<b>Overall (L)</b>	9.50"	241 mm
<b>Width (W)</b>	1.70"	43 mm
<b>Height (H)</b>	1.14"	29 mm
<b>Mounting (M)</b>	8.90"	226 mm

## ORDERING INFORMATION

Model Number	Quantity/Carton (pcs)	Carton Dimensions (L"xW"xH")	G. Weight (lb)
LED60-12V120M-D	20	11 x 10.6 x 9.1	28.7

ULTRASAVE LIGHTING LTD.

[www.ultrasave.ca](http://www.ultrasave.ca)

TECHNICAL INQUIRY, PLEASE CALL 905.940.0888 OR 1.866.733.9217

Data published here are based on the result of testing under controlled environmental conditions. Actual performance can vary depending on operating conditions.

Specifications are subject to change without notice. C2614USL