

## LED25-24V120M



<b>Driver Type:</b>	LED Driver	<b>Description:</b>	25W, 1.04A, 24V DC
<b>Output Mode:</b>	Constant Voltage	<b>Input Voltage:</b>	120 to 277
<b>Protection Function:</b>	Open / Short	<b>Input Frequency:</b>	50 / 60 Hz
<b>Max. Case Temperature:</b>	194°F / 90°C	<b>Warranty:</b>	Five Years

## ELECTRICAL SPECIFICATIONS

Output Power (W)	Output Voltage (V)	Max. Output Current (mA)	Min. Start Temperature (°F/°C)	Input Current (Amps) @122/277 V	
25	24	1040	-40 / -40	0.26 / 0.12	
Input Power (Watts)	Min. Power Factor	Max. THD (%)	Efficiency (%)	Surge Protection (kV)	IP Rating
31	0.95	10	95	2	66

## REGULATORY COMPLIANCE

- Meets FCC Part 15 Class A for EMI
- Complies with ANSI Standards
- RoHS Compliant
- cRUus Listed

RoHS  
compliant 

  
E333021  
Class 2

ULTRASAVE LIGHTING LTD.

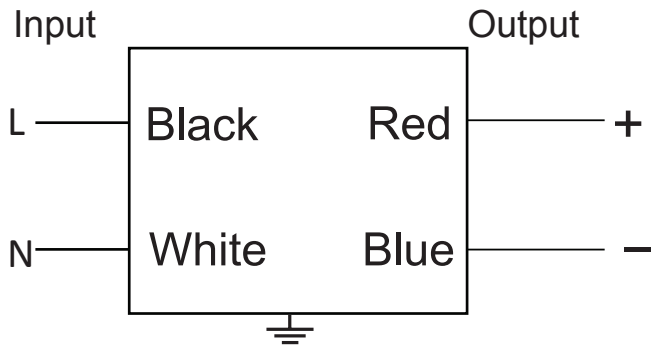
[www.ultrasave.ca](http://www.ultrasave.ca)

TECHNICAL INQUIRY, PLEASE CALL 905.940.0888 OR 1.866.733.9217

Data published here are based on the result of testing under controlled environmental conditions. Actual performance can vary depending on operating conditions. Specifications are subject to change without notice. C2614USL

## PHYSICAL CHARACTERISTICS

### WIRING DIAGRAM



### LEAD LENGTH

Wire	in
Black	5.9
White	5.9
Blue	5.9
Red	5.9

### CASE DIMENSIONS

Overall (L)	9.50"	241 mm
Width (W)	1.70"	43 mm
Height (H)	1.14"	29 mm
Mounting (M)	8.90"	226 mm

## ORDERING INFORMATION

Model #	Quantity/Carton (pcs)	Carton Dimensions (L"x W"x H")	G. Weight (lb)
LED25-24V120M	20	11.0 X 10.6 X 9.1	28.7

ULTRASAVE LIGHTING LTD.

[www.ultrasave.ca](http://www.ultrasave.ca)

TECHNICAL INQUIRY, PLEASE CALL 905.940.0888 OR 1.866.733.9217

Data published here are based on the result of testing under controlled environmental conditions. Actual performance can vary depending on operating conditions. Specifications are subject to change without notice. C2614USL