

LED15-1050C120M



Driver Type:	LED Driver	Description:	5W, 1.05A, 3-5V DC
Output Mode:	Constant Current	Input Voltage:	120 to 277
Protection Function:	Open / Short	Input Frequency:	50 / 60 Hz
Max. Case Temperature:	194°F / 90°C	Warranty:	Five Years

ELECTRICAL SPECIFICATIONS

Output Power (Watts)	Output Voltage (V)		Output Current (mA)	Input Current (Amps) @120/277 V	Input Power (Watts)	Min. Power Factor
Max.	Min.	Max.	Constant	0.07 / 0.03	7	0.90
5	3	5	1050			

Min. Start Temperature (°F/°C)	Surge Protection (kV)	Efficiency (%)	IP Rating	Max. THD (%)
-40/-40	2	78.6	66	30

REGULATORY COMPLIANCE

- Meets FCC Part 15 Class A for EMI
- Complies with ANSI Standards
- RoHS Compliant
- cRUus Listed

RoHS
compliant 

cRU[®] **US**
E333021
Class 2

ULTRASAVE LIGHTING LTD.

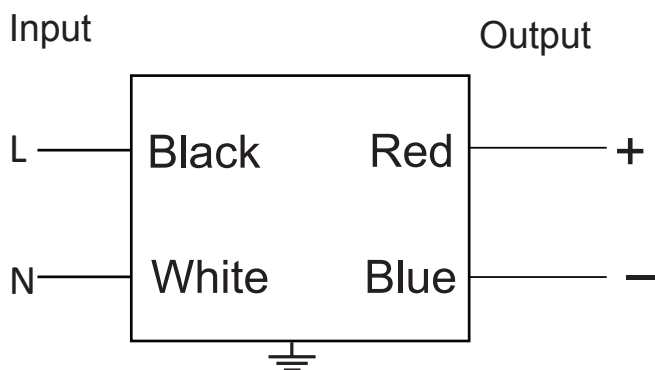
www.ultrasave.ca

TECHNICAL INQUIRY, PLEASE CALL 905.940.0888 OR 1.866.733.9217

Data published here are based on the result of testing under controlled environmental conditions. Actual performance can vary depending on operating conditions. Specifications are subject to change without notice. C2614USL

PHYSICAL CHARACTERISTICS

WIRING DIAGRAM



LEAD LENGTH

Wire	in
Black	5.9
White	5.9
Blue	5.9
Red	5.9

CASE DIMENSIONS

Overall (L)	4.21"	107 mm
Width (W)	1.41"	36 mm
Height (H)	1.14"	29 mm
Mounting (M)	3.90"	99 mm

ORDERING INFORMATION

Model #	Quantity/Carton (pcs)	Carton Dimensions (L"xW"xH")	G. Weight (lb)
LED15-1050C120M	100	17.3 x 17.3 x 6.3	46.3

ULTRASAVE LIGHTING LTD.

www.ultrasave.ca

TECHNICAL INQUIRY, PLEASE CALL 905.940.0888 OR 1.866.733.9217

Data published here are based on the result of testing under controlled environmental conditions. Actual performance can vary depending on operating conditions. Specifications are subject to change without notice. C2614USL