

LED124-700C120M



Driver Type:	LED Driver	Description:	24W, 0.7A, 18-36V DC
Output Mode:	Constant Current	Input Voltage:	120 to 277
Protection Function:	Open / Short	Input Frequency:	50 / 60 Hz
Max. Case Temperature:	194°F / 90°C	Warranty:	Five Years

ELECTRICAL SPECIFICATIONS

Output Power (Watts)	Output Voltage		Output Current (mA)	Ambient Temperature (°F / °C)		Input Current (Amps) @ 120/277 V	Input Power (Watts)	Min. Power Factor	Max. THD (%)
	Min.	Max.		Max.	Min.				
Max.	Min.	Max.	Constant	Max.	Min.	0.3 / 0.14	31.5	0.94	20
24	18	36	700	194 / 90	-22 / -30				

REGULATORY COMPLIANCE

- Meets FCC Part 15 Class A for EMI
- Complies with ANSI Standards
- RoHS Compliant
- cRUus Listed

RoHS
compliant 


E333021

ULTRASAVE LIGHTING LTD.

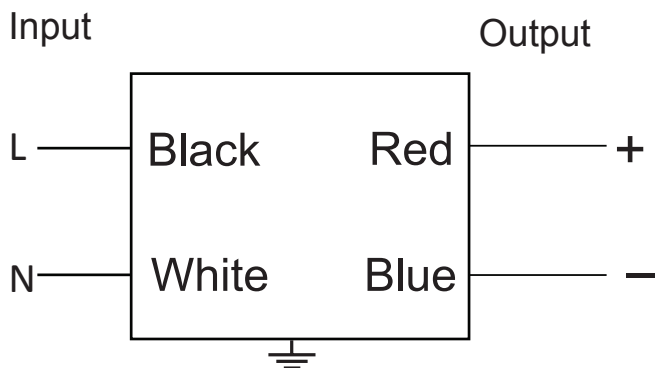
www.ultrasave.ca

TECHNICAL INQUIRY, PLEASE CALL 905.940.0888 OR 1.866.733.9217

Data published here are based on the result of testing under controlled environmental conditions. Actual performance can vary depending on operating conditions. Specifications are subject to change without notice. C2614USL

PHYSICAL CHARACTERISTICS

WIRING DIAGRAM



LEAD LENGTH

Wire	in
Black	5.9
White	5.9
Blue	5.9
Red	5.9

CASE DIMENSIONS

Overall (L)	5.00"	127 mm
Width (W)	2.48"	63 mm
Height (H)	1.18"	30 mm
Mounting (M)	4.45"	113 mm

ORDERING INFORMATION

Model #	Quantity/Carton (pcs)	Carton Dimensions (L"x W"x H")	G. Weight (lb)
LED124-700C120M	40	14.6 X 10.6 X 10.2	26.5

ULTRASAVE LIGHTING LTD.

www.ultrasave.ca

TECHNICAL INQUIRY, PLEASE CALL 905.940.0888 OR 1.866.733.9217

Data published here are based on the result of testing under controlled environmental conditions. Actual performance can vary depending on operating conditions. Specifications are subject to change without notice. C2614USL