

Date:	Type:
Project Name:	Part Number:

## LED UFO Highbay



### DESCRIPTION

Our new generation LED highbays are ideal for replacing HID High Bay fixtures, offering high performance and long life. Designed precision spherical and convex lens and offers low brightness, uniform illumination and high efficiency LED platform. Designed with easy installation of sensors at the face of the fixture.

### FEATURES

- Suitable for wet locations
- IP65 rated Provides L70 of greater than 70,000 hours
- a large heat sink.
- Includes 6' cord, ring bolt mounting accessory & safety hanging kit
- Dual Voltage 120-347V
- -40°F to 122°F (-40°C to +50°C) operating temperature
- 7 Years Limited Warranty

### APPLICATIONS

- Commercial Building
- Warehouse
- Road Junction



## SPECIFICATION

ORDER #	MODEL#	LUMENS OUTPUT	BEAM ANGLE	WATTS	VOLTS	POWER FACTOR	CCT	CRI
R34202	RENO-HBU-100W-DV-5K	15000lm	90°	100W	120-347V	0.9	5000K	>80
R34203	RENO-HBU-150W-DV-4K	21750lm	90°	150W	120-347V	0.9	4000K	>80
R34204	RENO-HBU-150W-DV-5K	21750lm	90°	150W	120-347V	0.9	5000K	>80
R34206	RENO-HBU-250W-DV-5K	36250lm	90°	200W	120-347V	0.9	5000K	>80
R39601	RENO-HBU-Cover-1	PC Reflector for 100W&150W UFO HIGHBAY						
R39602	RENO-HBU-Cover-2	PC Reflector bottom cover for 100W&150W UFO HIGHBAY						
R39405	RENO-LHB-SENSOR	Bi-level Sensor for UFO highbay						
R39406	RENO-LHB-CONTROLLER	Controller for Bi-Level Sensor						

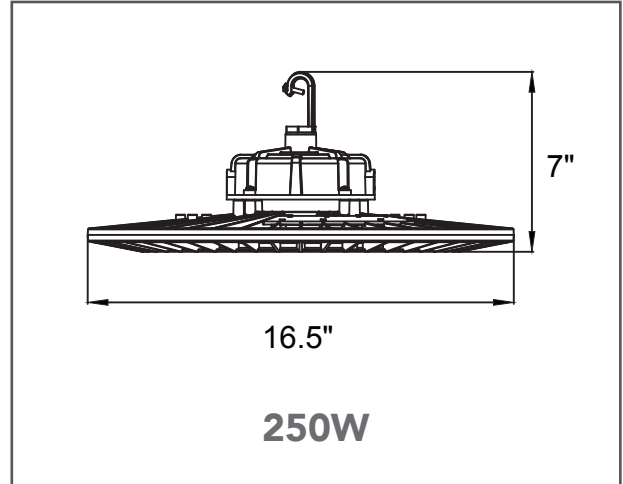
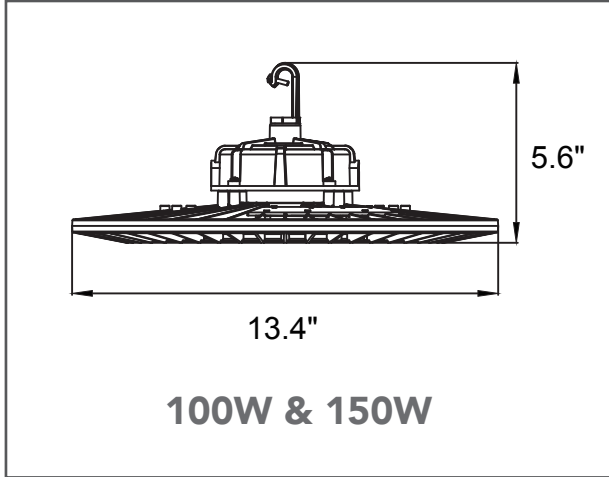
Date:

Type:

Project Name:

Part Number:

## DIMENSION



## LUMINOUS EMITTANCE

