

SPECIFICATION

NEXLEDS®
NEXLEDS LTD



25W-20W-15W

Changeable

50W-40W-30W

Changeable

70W-60W-50W

Changeable

3500K-4000K-5000K

Changeable



VIDEO

LED Architectural Strip Light

NX-LAL2F-25W-L-DV-TCP

NX-LAL4F-50W-L-DV-TCP

NX-LAL8F-70W-L-DV-TCP

Specification

Product Name :	LED Architectural Strip Light		
Model NO. :	NX-LAL2F-25W-L-DV-TCP-W	NX-LAL4F-50W-L-DV-TCP-W	NX-LAL8F-70W-L-DV-TCP-W
	NX-LAL2F-25W-L-DV-TCP-B	NX-LAL4F-50W-L-DV-TCP-B	NX-LAL8F-70W-L-DV-TCP-B
Specification :	AC120-347V; 50/60Hz;		
	229mA; 25W/20W/15W	458mA; 50W/40W/30W	641mA; 70W/60W/50W
Working Temp :	-20--+45(°C)		
Power Factor :	>0.9		
CRI(ra) :	>80		
Color :	White Color / Black Color		
Material :	Aluminum		
Light Source :	SMD2835 LEDs		
Lumen :	2875LM/2300LM/1725LM	5750LM/4600LM/3450LM	9200LM/7360LM/5750LM
Life Time :	50000 hrs		
Beam Angle :	120°		
Product Size :	25.02x1.97x3.11 inch	48.03x1.97x3.11 inch	96.06x1.97x3.11 inch
IP :	IP20		
Application :	Office building, Shopping mall		
Warranty :	5 years		
Standard :	cUL, DLC		
Color Temp :	3500K-4000K-5000K Tunable		



www.nexleds.ca



Email: sales@nexleds.ca

NEXLEDS®

NEXLEDS LTD

Feature:

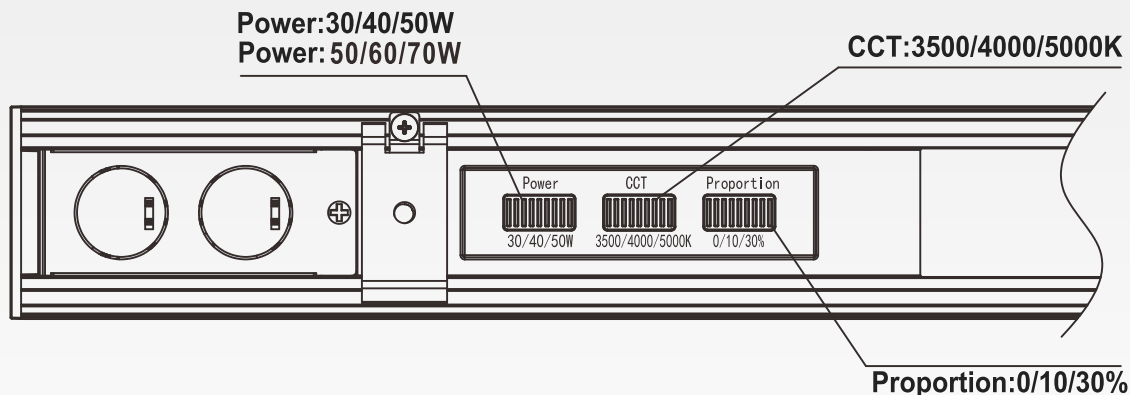
1. Extruded-aluminum housing is well suited for open-plan space design.
2. Provides lighting distribution options of 70% Downlight 30% Uplight, 90% Downlight 10% Uplight, 100% Downlight.
3. CCT selected at 3500K/4000K/5000K, 3 wattages selectable.
4. LED Efficiency of 115 lm/w, typical 80 plus CRI.
5. Smooth Dimming 0-10V dimming standard, universal voltage: 120-347V.
6. Available with suspended installation and suspended continuous row-mounting installation.
7. Easy Installation – Suspended kits provide an easy and fast pendant mounting.

Product Dimension:

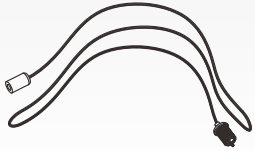






	L×W×H
2FT	610x50x79(mm) / 25.02"x1.97"x3.11"
4FT	1220x50x79(mm) / 48.03"x1.97"x3.11"
8FT	2440x50x79(mm) / 96.06"x1.97"x3.11"

Function Description :



Instruction:

Suspending installation -2FT4FT8FT(included)			Parts List	
				
(2) Safety rope assembly	(2) Mounting fastener	(2) Anchors	(2) Screw	(5) Wire Nuts

Installation instructions

1. Turn off the power.

2. Fixing the hook and suspending the lamp.

3. Adjusting the hanging rope length.

4. Use M5 square screw and M5 fixed head to fix LED strip light.

5. Open the end of the lamp to be connected. Two terminal

6. Cut off the corresponding terminals as required.

Three-position terminal: BLACK (LINE)
WHITE (NEUTRAL)
GREEN (GRD)

Two terminal: PURPLE (DIM +)
PINK (DIM -)

7. Turn off the power and wiring by using wire nut.

BLACK (LINE)
WHITE (NEUTRAL)
GREEN (GRD)

FIXTURE

To Source
120V-277V/
120V-347V

PURPLE (DIM +)
PINK (DIM -)
Dimming

8. Insert the terminal block and wires into the lamp housing.



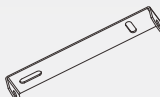




9. The installation is completed and energize the luminaire to verify operation.



Instruction:

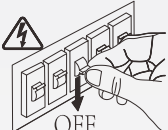
Ceiling box installation instructions

Parts List

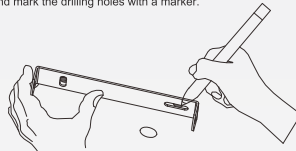
						
(1) Ceiling box A	(1) Ceiling box B	(2) Mounting bracket	(4) Long screw	(4) Short screw	(2) nut	(4) Anchors

Installation instructions

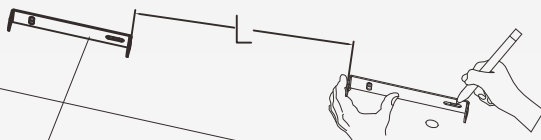
1. Turn off the power.



2. Press the mounting bracket on the ceiling as shown, and mark the drilling holes with a marker.




3. Adjust the proper mounting distance and make another mounting bracket installation mark.

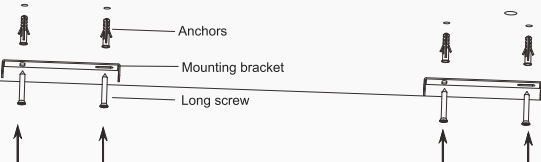


Mounting bracket

4. Drill the mounting holes according to the marked points.

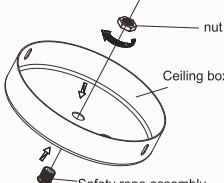


5. Fasten the mounting bracket to the ceiling by screws.




Anchors
Mounting bracket
Long screw

6. Install the sling on the top plate.

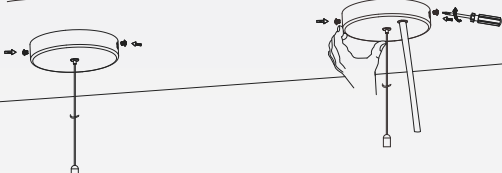


nut
Ceiling box
Safety rope assembly

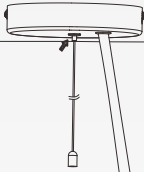
7. Lead the wire from the ceiling through the cap disc round hole.



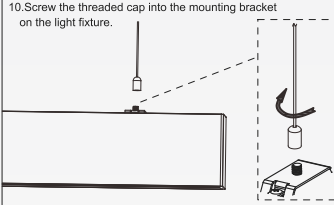
8. Lock the ceiling disc with short screws.



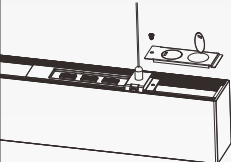
9. Press the wire lock to adjust the required installation height.



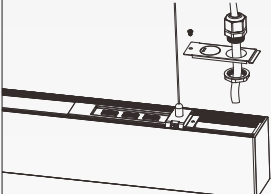
10. Screw the threaded cap into the mounting bracket on the light fixture.



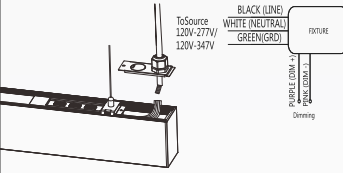
11. Take out one end of the mounting plate as shown below.



12. Thread the input wire through the anti-tension connector.

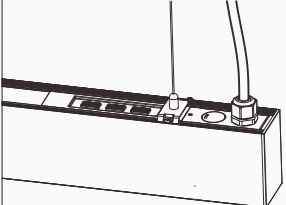


13. Connect to the luminaire input.




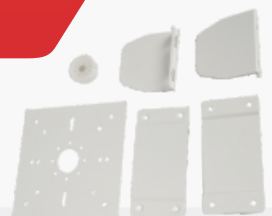
To Source: 120V-277V / 120V-347V
BLACK (LINE)
WHITE (NEUTRAL)
GREEN (GND)
PURPLE (DIM+)
BLUE (DIM-)
DIMMER
FIXTURE

14. Lock back mounting plate.






15. The installation is complete as shown in the following figure.



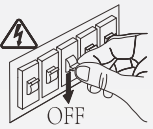
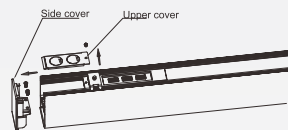
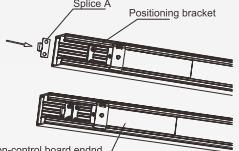
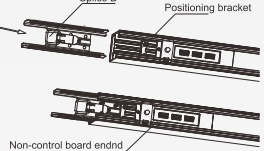
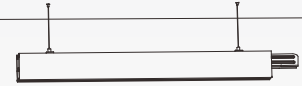
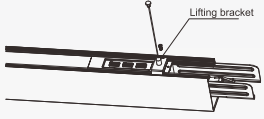

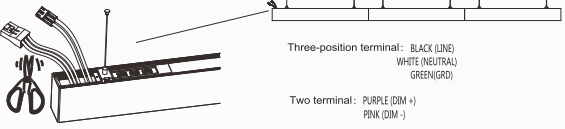
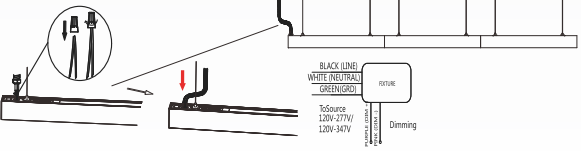


Instruction:


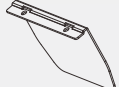







Splice installation instructions		Parts List
 (1) Splice A	 (1) Splice B	 (6) screw

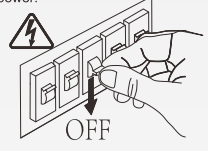
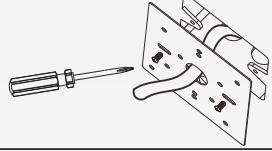
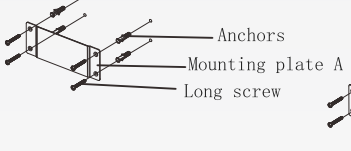
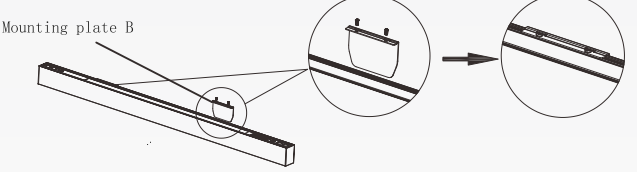
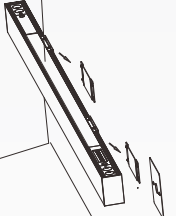
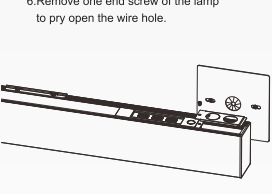
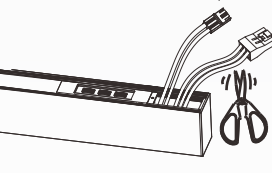

Installation instructions

- Turn off the power. 
- Remove the side cover and upper cover of both ends of the lamp to be spliced. 
- Slide splice B into contact with the positioning bracket and lock the screws. 
- Remove the side cover and upper cover of both ends of the lamp to be spliced. 
- Install the luminaire on the ceiling according to the lifting installation instructions. 
- Remove the screws of the lifting bracket on the lamp to adjust the position of the lamp when splicing. 
- Pull the splicing A on the splicing B between the two lamps. 
120V: The maximum connection can be 40ft, and the connection 24-40ft requires the use of a diffusion mask.
347V: The maximum connection can be 100ft, and the connection 24-100ft requires the use of a diffusion mask.
- Cut the corresponding terminal at the end to be connected as required. Reinstall the side cover and upper cover, lock the screws of the lifting bracket. 
Three-position terminal: BLACK (LINE)
WHITE (NEUTRAL)
GREEN (GRD)
Two terminal: PURPLE (DIM +)
PINK (DIM -)
- connect cables according to requirements. 
BLACK (LINE) FEEDER
WHITE (NEUTRAL)
GREEN (GRD)
To Source 120V-277V
120V-347V
Dimming

Up/down light line lamp wall installation instructions Parts List

 (2) Mounting plate A	 (2) Mounting plate B	 (1) Decorative plate
 (8) Long screw	 (6) Short screw	 (8) Anchors
		 (1) Anti-stretch head




Installation instructions

- Turn off the power. 
- Pull out the wire and lock the trim. 
- Install wall mounting piece A to the wall according to the length of the luminaire. 
Recommended installation distance:
4FT: 800-1000mm
8FT: 2040-2240mm
- According to the installation distance of the wall mounting part A, mount the wall mounting part B on the lamp. 
- Insert mounting plate B on the light fixture into mounting plate A on the wall. 
- Remove one end screw of the lamp to pry open the wire hole. 
- Cut off one end of the terminal as required for wiring. 
Three-position terminal (yellow): BLACK (LINE)
WHITE (NEUTRAL)
GREEN (GRD)
Two terminal: PURPLE (DIM +)
PINK (DIM -)
BLACK (LINE) FEEDER
WHITE (NEUTRAL)
GREEN (GRD)
To Source 120V-277V
120V-347V
Dimming
PURPLE (DIM +)
PINK (DIM -)
Dimming
- Installation complete. 



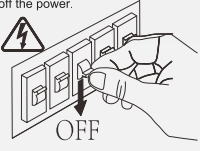
Instruction:

Up/down Linear Strip Light Instruction Manual Parts List

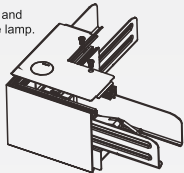
 (1) L-shaped splicing assembly	 (2) Splice B	 (4) Screw
---	---	--

Installation instructions

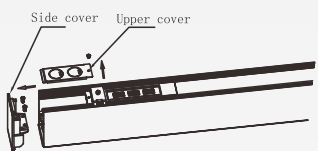
1. Turn off the power.



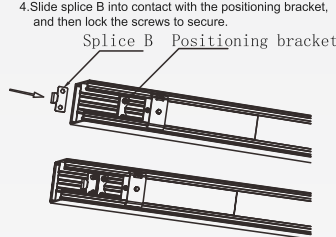
2. Fixing the hook and suspending the lamp.



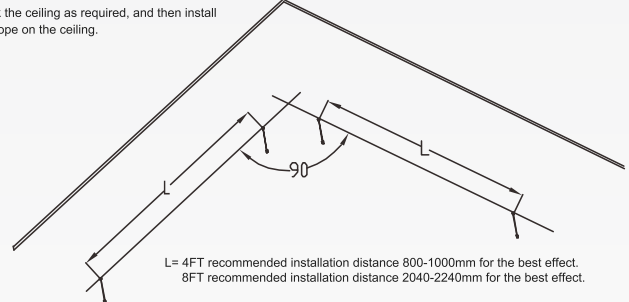
3. Fixing the hook and suspending the lamp.



4. Slide splice B into contact with the positioning bracket, and then lock the screws to secure.

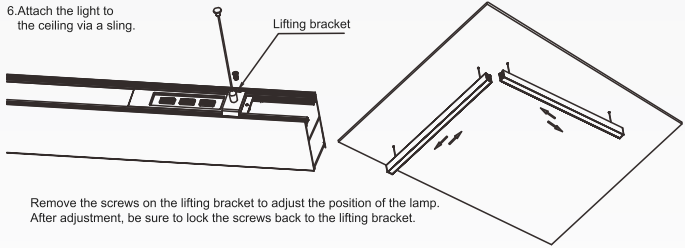


5. Mark the ceiling as required, and then install the rope on the ceiling.



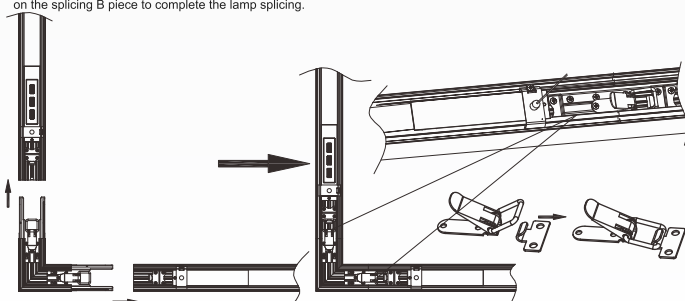
L= 4FT recommended installation distance 800-1000mm for the best effect.
8FT recommended installation distance 2040-2240mm for the best effect.

6. Attach the light to the ceiling via a sling.

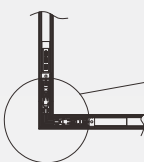


Remove the screws on the lifting bracket to adjust the position of the lamp. After adjustment, be sure to lock the screws back to the lifting bracket.

7. Insert the L-shaped splicing piece into the lamp to be spliced in turn, pull the lock QQ on the L-shaped splicing piece on the splicing B piece to complete the lamp splicing.



8. Connect the two lamp terminals as required.

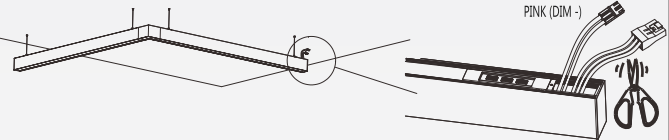


Three terminals (yellow) :
BLACK (LINE)
WHITE (NEUTRAL)
GREEN (GRD)

Two terminals (orange):
PURPLE (DIM +)
PINK (DIM -)

Three terminals (white) :
The splice connects to the terminal.

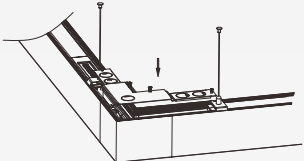
9. Cut the corresponding terminals as required.



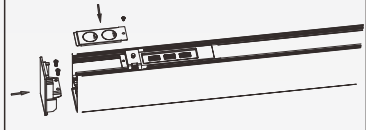
Three terminals (yellow) : BLACK (LINE)
WHITE (NEUTRAL)
GREEN (GRD)

Two terminals (orange) : PURPLE (DIM +)
PINK (DIM -)

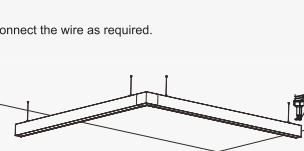
10. Cut the corresponding terminals as required.



11. Lock back lamp upper cover and side cover.



12. Connect the wire as required.



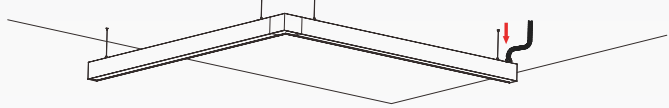
BLACK (LINE)
WHITE (NEUTRAL)
GREEN (GRD)

Fixture

To Source
120V-347V

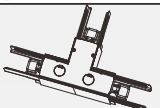


PURPLE (DIM +)
PINK (DIM -)
Dimming

13. Installation completed, light trial run.



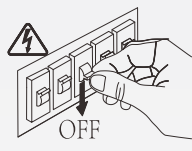



Instruction:

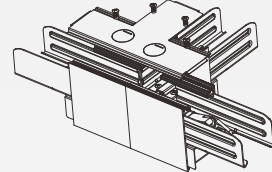
Up/down Linear Strip Light Instruction		Parts List
		
(1) T-shaped splicing assembly	(2) Splice B	(4) Screw

Installation instructions

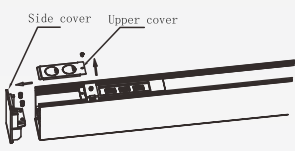
1. Turn off the power.



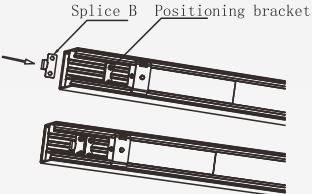
2. Fixing the hook and suspending the lamp.



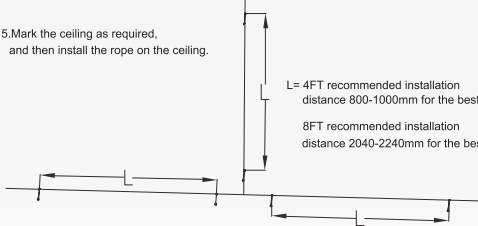
3. Fixing the hook and suspending the lamp.



4. Slide splice B into contact with the positioning bracket, and then lock the screws to secure.

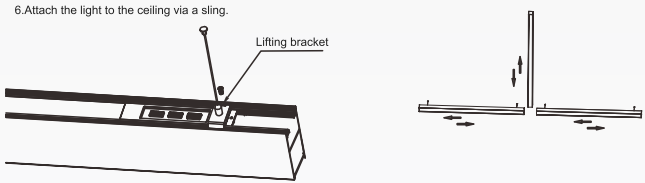


5. Mark the ceiling as required, and then install the rope on the ceiling.



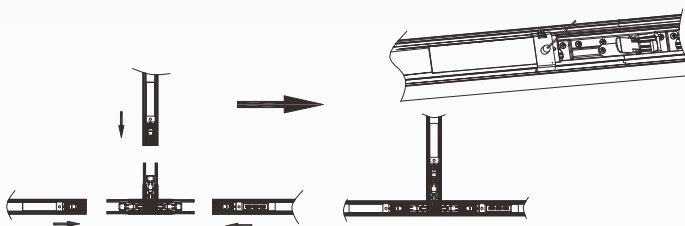
L = 4FT recommended installation distance 800-1000mm for the best effect.
8FT recommended installation distance 2040-2240mm for the best effect.

6. Attach the light to the ceiling via a sling.

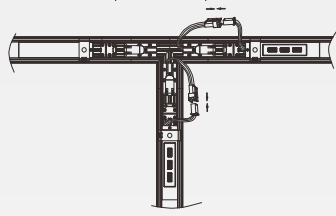


Remove the screws on the lifting bracket to adjust the position of the lamp. After adjustment, be sure to lock the screws back to the lifting bracket.

7. Insert the T-shaped splicing piece into the lamp to be spliced in turn, pull the lock QQ on the L-shaped splicing piece on the splicing B piece to complete the lamp splicing.

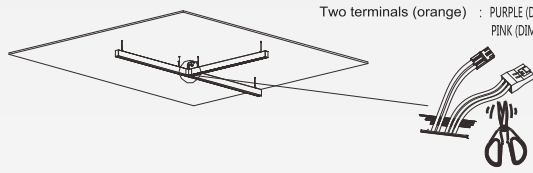


8. Connect the two lamp terminals as required.



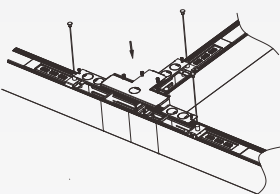
Three terminals (white) :
The splice connects to the terminal.

9. Cut the corresponding terminals as required.




Three terminals (yellow) : BLACK (LINE)
WHITE (NEUTRAL)
GREEN (GRD)
Two terminals (orange) : PURPLE (DIM +)
PINK (DIM -)

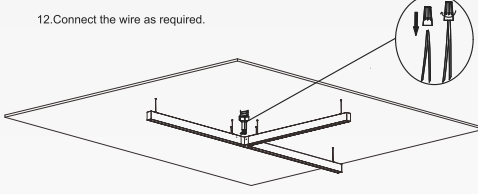
10. Cover back to top cover as required..



11. Lock back lamp upper cover and side cover.



12. Connect the wire as required.

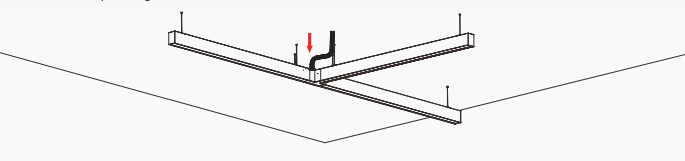


BLACK (LINE)
WHITE (NEUTRAL)
GREEN (GRD) FIXTURE

ToSource
120V-277V/
120V-347V

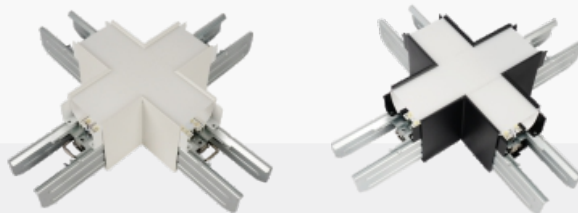
PURPLE (DIM +)
PINK (DIM -)
Dimming




13. Installation completed, light trial run.



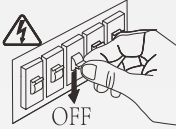
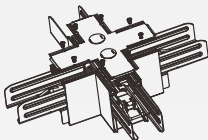


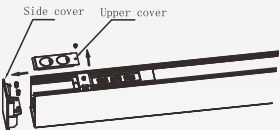
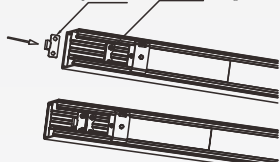
Instruction:



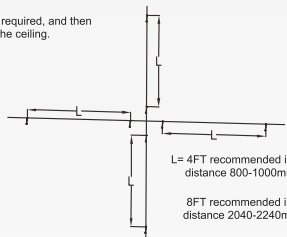
Up/down Linear Strip Light Instruction		Parts List
		
(1) X-shaped splicing assembly	(2) Splice B	(4) Screw

Installation instructions

<p>1. Turn off the power.</p> 	<p>2. Fixing the hook and suspending the lamp.</p> 
---	--

<p>3. Fixing the hook and suspending the lamp.</p> 	<p>4. Slide splice B into contact with the positioning bracket, and then lock the screws to secure.</p> 
---	--

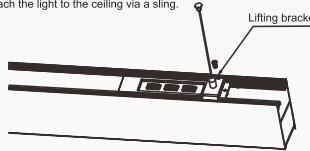
5. Mark the ceiling as required, and then install the rope on the ceiling.



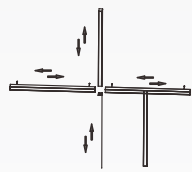
L = 4FT recommended installation distance 800-1000mm for the best effect.

8FT recommended installation distance 2040-2240mm for the best effect.

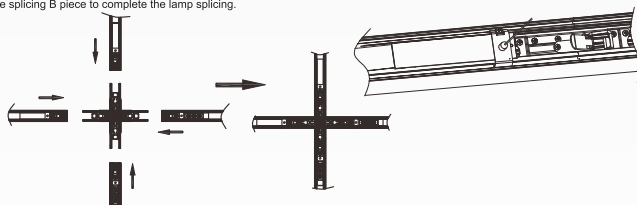
6. Attach the light to the ceiling via a sling.



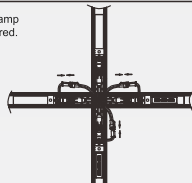
Remove the screws on the lifting bracket to adjust the position of the lamp. After adjustment, be sure to lock the screws back to the lifting bracket.



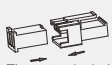
7. Insert the X-shaped splicing piece into the lamp to be spliced in turn, pull the lock QQ on the L-shaped splicing piece on the splicing B piece to complete the lamp splicing.



8. Connect the two lamp terminals as required.



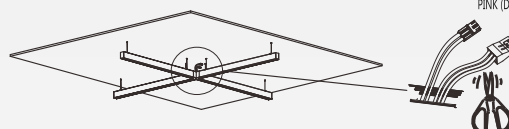
Three terminals (white) :
The splice connects to the terminal.



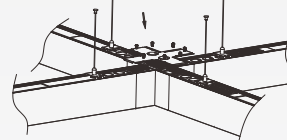
9. Cut the corresponding terminals as required.

Three terminals (yellow) : BLACK (LINE)
WHITE (NEUTRAL)
GREEN (GRD)

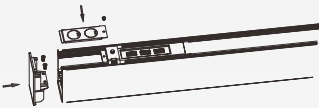
Two terminals (orange) : PURPLE (DIM +)
PINK (DIM -)



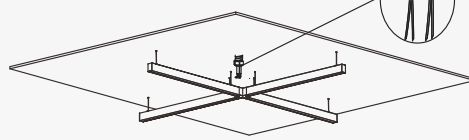
10. Cover back to top cover as required.



11. Lock back lamp upper cover and side cover.



12. Connect the wire as required.



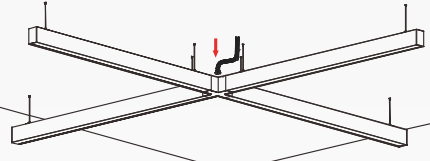
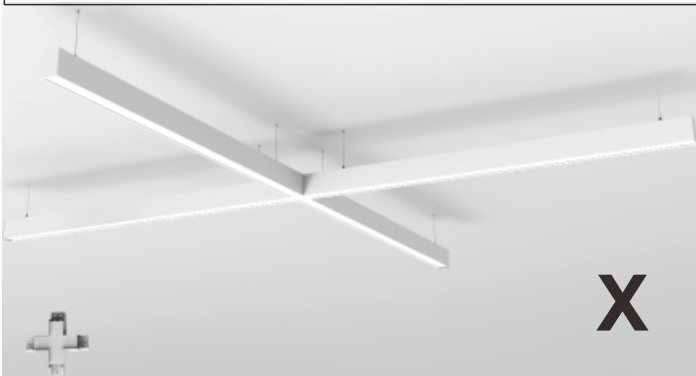
BLACK (LINE)
WHITE (NEUTRAL)
GREEN (GRD)

To Source 120V-277V/
120V-347V

PURPLE (DIM +)
PINK (DIM -)
Dimming

FIXTURE

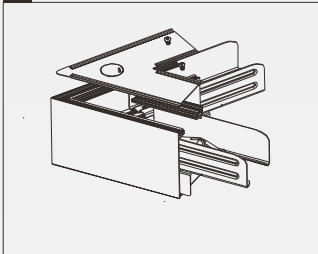
13. Installation completed, light trial run.

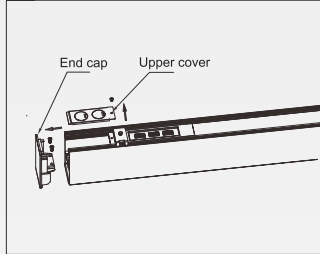
Instruction:



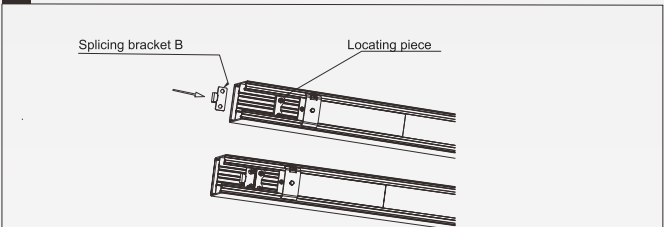
1 Remove the cover from "V60"joiner.



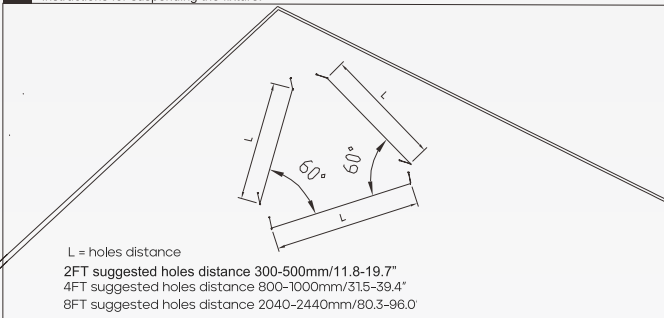
2 Remove the end cap and upper cover from fixture.



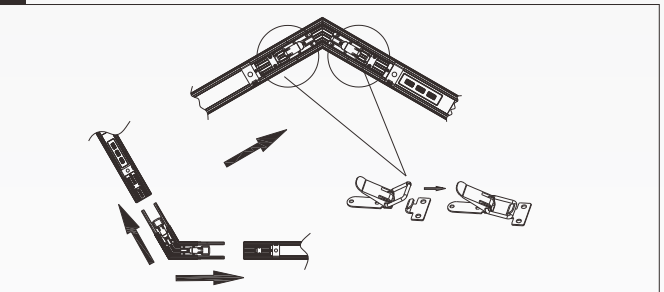
3 Slide the splicing bracket B into locating piece, then lock it with screws.



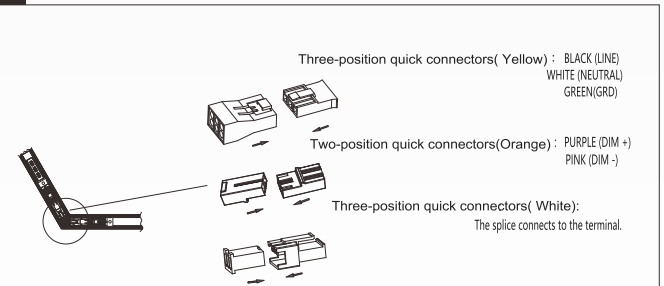
4 Make the mounting marks on the ceiling for fixtures, please refer to pendant mounting instructions for suspending the fixture.



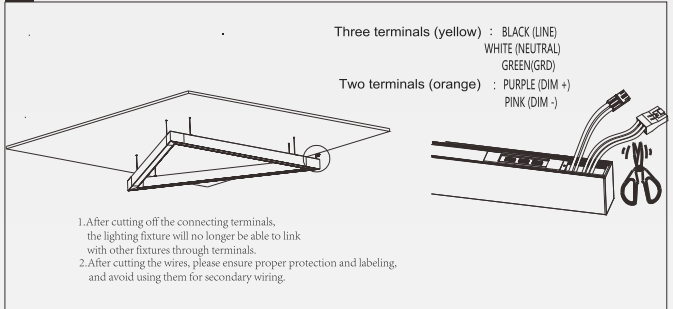
5 Insert the "V" joiner into the fixture as shown below, and pull the lock buckle to splice the fixtures.



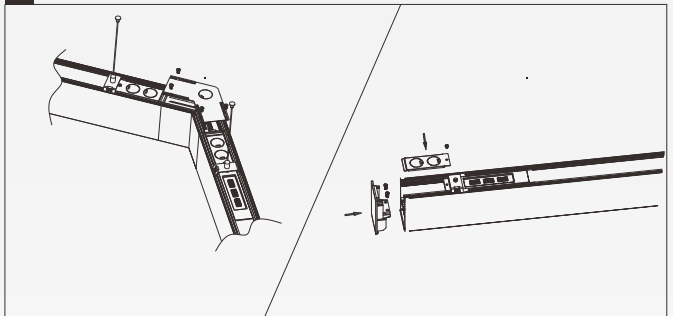
6 Make electrical connection with male-female connectors.



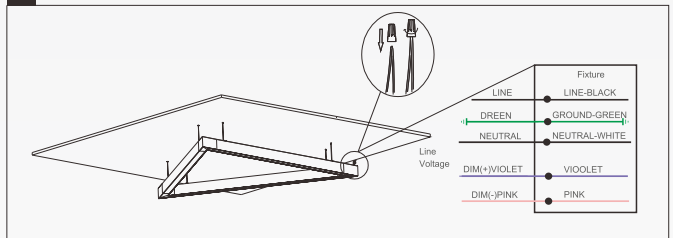
7 Cut off the connectors in one end for wiring to line voltage



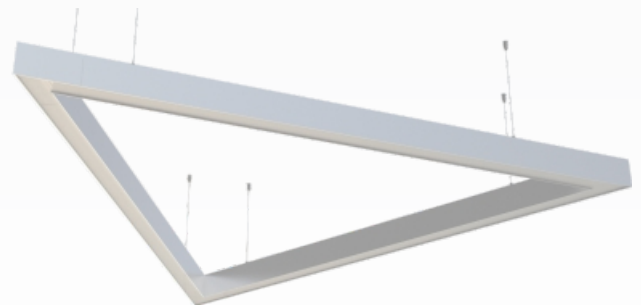
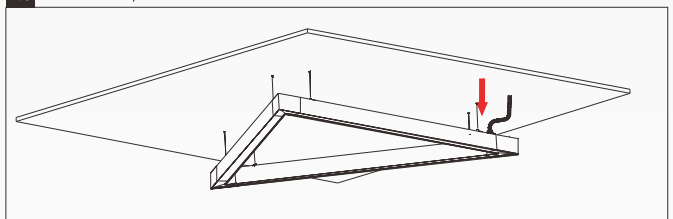
8 Screw back the cover of "V"joiner, lock back the fixture upper cover, Lock back the other end of fixture upper cover

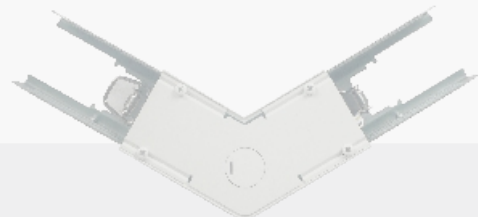


9 Make wiring according to diagram



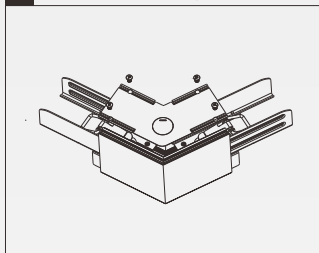
10 Installation completed.



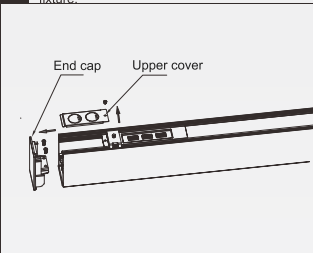


Instruction:

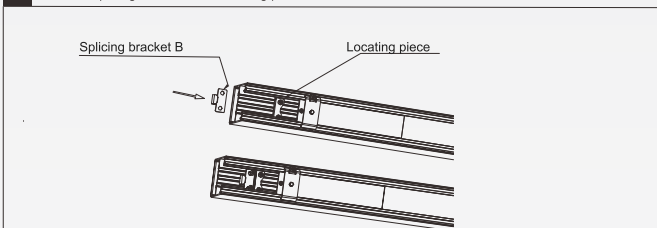
1 Remove the cover from "V"joiner.



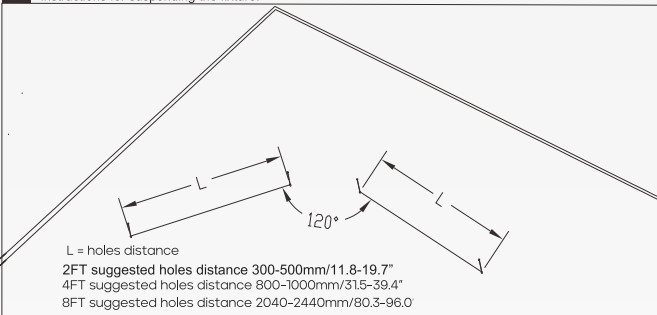
2 Remove the end cap and upper cover from fixture.



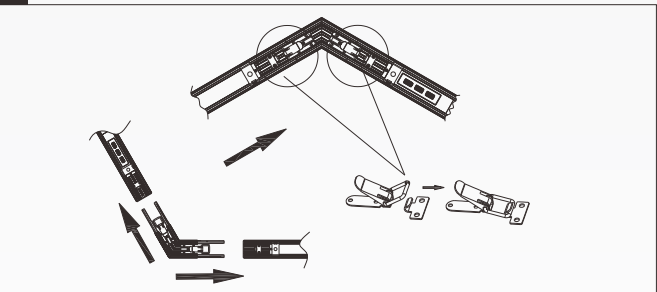
3 Slide the splicing bracket B into locating piece, then lock it with screws.



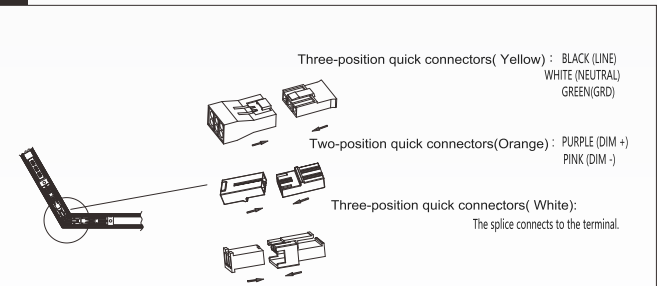
4 Make the mounting marks on the ceiling for fixtures, please refer to pendant mounting instructions for suspending the fixture.



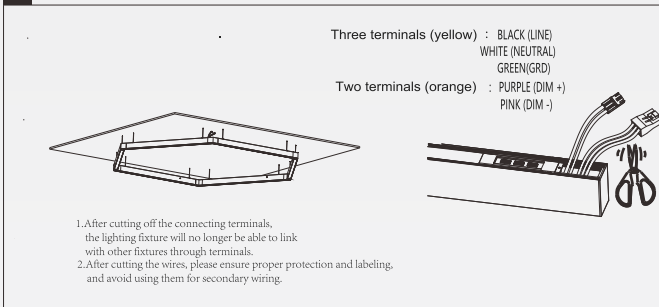
5 Insert the "V" joiner into the fixture as shown below, and pull the lock buckle to splice the fixtures.



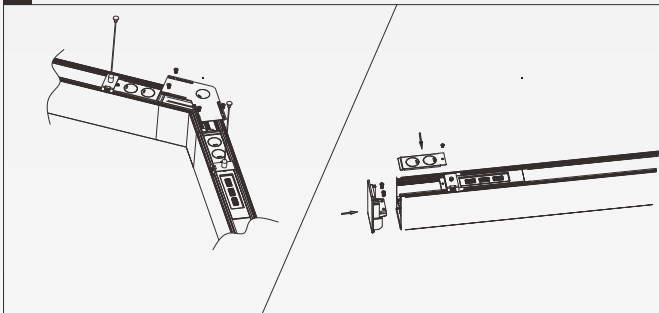
6 Make electrical connection with male-female connectors.



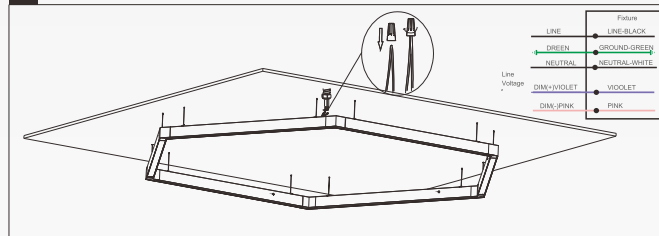
7 Cut off the connectors in one end for wiring to line voltage



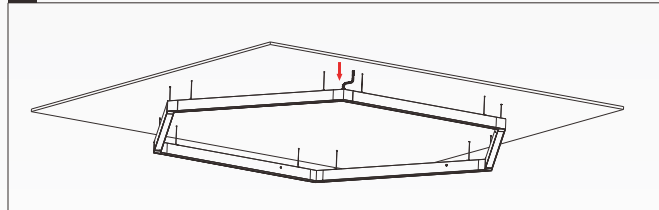
8 Screw back the cover of "V"joiner, lock back the fixture upper cover, Lock back the other end of fixture upper cover



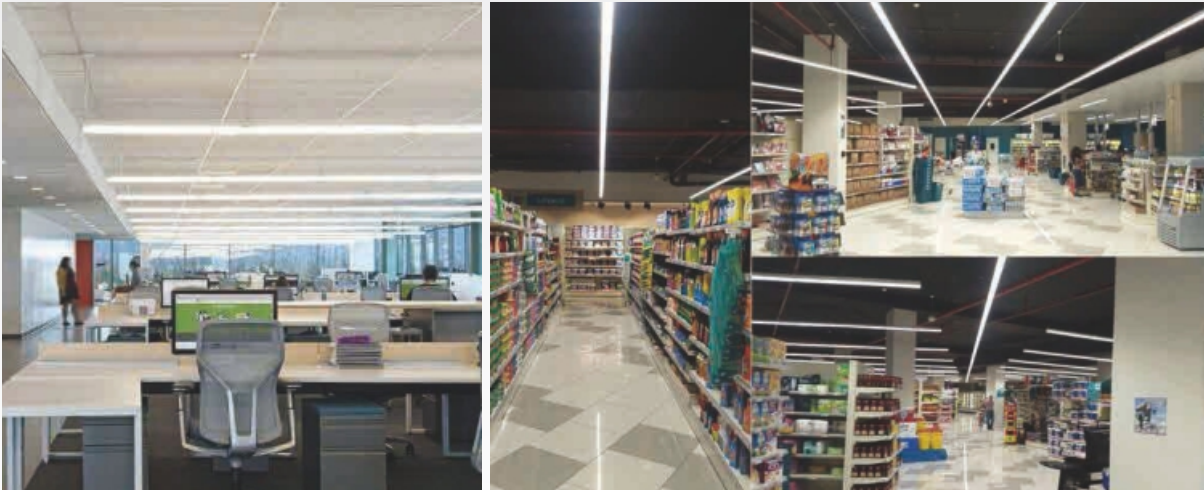
9 Make wiring according to diagram



10 Installation completed.



Applications:



Note:

- 1.The installation and maintenance must be completed by electricians or professionals.
- 2.Please cut off the power before installation and maintenance.
- 3.The thermally insulating material is not allowed to cover the fixture.
- 4.Please keep away from the corrosive substance, and keep the fixture dry and clean.
- 5.Working temperature: -4°F~113°F, storage temperature: -22°F~140°F.

Important:

Read this instruction carefully before installation. Keep it for further reference.
 Make electrical and grounded connections in accordance with the national electrical code and any applicable code. Always turn off the power supply before installation.
 This product must be installed in accordance with the applicable installation code by a qualified electrician who is familiar with the construction and operation of the product and the hazards involved.

Warning:

- ⚠ Risk of fire or electric shock. Fixture installation requires knowledge of luminaires electrical systems. If not qualified, DO NOT attempt installation. Contact a qualified electrician.
- ⚠ Risk of fire or electric shock. Suitable for wet locations. Always turn off the power supply before installation.
- ⚠ Risk of fire or electric shock. Suitable for non-insulated surface and frame. DO NOT cover fixture with insulation line or similar material.
- ⚠ DO NOT install fixture on unstable, loose or easily breakable surface.
- ⚠ DO NOT exert force on the surface of the fixture.

