

## SPECIFICATION

**NEXLEDS**<sup>®</sup>  
NEXLEDS LTD



Video



**LED Exit Sign**

**NX-EMRMEP**

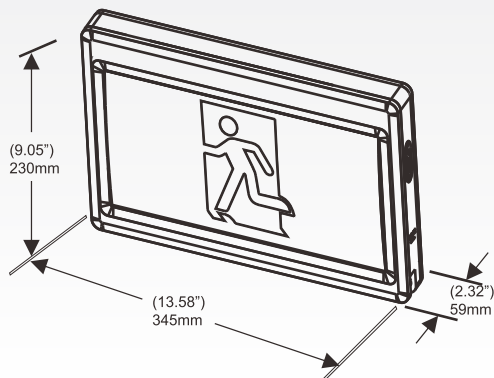
### Specification

PRODUCT NAME :	LED Exit Sign (Running Man Sign)
MODEL NO. :	NX-EMRMEP
SPECIFICATION :	AC120-347V; 60Hz; 80mA; 4.5W
WORKING TEMP :	-0-40(°C)
CRI(RA) :	>80
COLOR :	White Color
LIGHT SOURCE :	Super Bright SMD LED
LIFE TIME :	50000 hrs
BATTERY :	Ni-CD battery (3.6V 900mAh)
SELF-POWERED:	120 minutes
PRODUCT SIZE :	13.58*2.32*9.84inch
IP :	Suitable for Damp Locations
APPLICATION :	Home, Shop, Hotel...etc
WARRANTY :	5 years fixture, 2 years batter
STANDARD :	cUL
COLOR TEMP :	6500K

## Feature:

- \* Super Bright LED Light Source
- \* 127-347V universal voltage
- \* Two wire design for easy installation
- \* Double LED Strip for even light distribution
- \* Two wire design for easy installation
- \* Ni-Cad Battery
- \* UL approved 120 mins battery backup time
- \* Universal Mounting: Ceiling Mounting, Wall mounting and End mounting;
- \* Single/Double side installation
- \* Suitable for damp locations
- \* Comes with 3pcs pictograms (without arrow, with left arrow and with right arrow)

## Product Dimension



## Applications:

Suitable for commercial and institutional place:  
Apartment, hotel, shop, office, school, hospital  
...etc.



Hotel

Shop

Office

## Warning:

- Review the diagrams thoroughly before beginning.
- All electrical connections must be in accordance with local codes, ordinances and the National Electrical Code.
- Disconnect power at fuse or circuit breaker before installation or service.
- Do not use outdoors.
- Do not mount in hazardous locations or near gas or electric heaters.
- Do not let power cords touch hot surfaces.
- Equipment should be mounted in locations and at certain height where it will not be subject to tampering by unauthorized personnel.
- The use of accessory equipment is not recommended by the manufacturer
- Do not use this equipment other than intended use.
- Allow battery to charge for 48 hours before first use.
- All service should be performed by qualified personnel only.

