

SPECIFICATION

NEXLEDS®

NEXLEDS LTD



**5 Years
warranty**

**CRI>80
PF>0.9**

**AC
AC100-347**

**UL US
LISTED
E484534**

FC



VIDEO



LED Area Light

Part No.	Input Voltage	Frequency	Power	Rated Current
NX-MFLH-100W-DV	AC100-347	50/60Hz	100W	1.1A
NX-MFLH-150W-DV			150W	1.65A
NX-MFLH-200W-DV			200W	2.2A
NX-MFLH-240W-DV			240W	2.64A
NX-MFLH-300W-DV			300W	3.3A

Lamp Bead Model	LUMILEDS
Certificates	UL, CUL
Lighting Angle	TYPE III-M / TYPE IV-S / TYPE V
Lighting Efficiency	130 Lm/W
Color Rendering Index	Ra>80
Working Temperature	-40°F ~+113°F / -40°C ~ +45°C
Storage Temperature	-40 °F ~+158 °F / -40°C ~ +70°C
Environment Location	WET LOCATIONS
Life span	>50000H
Lamp shell	BROWN / BLACK
Accessories options	Photocell; Shorting cap; Surge protector PIR sensor; Motion sensor Waterproof cover plate of photocell hole

Accessories mounting brackets

TYPE A
(Slip-fitter)



TYPE B
(Square/Round pole mount with slip-fitter function)



TYPE C
(Square/Round pole mount)



TYPE D
(Trunnion)



TYPE E
(Yoke)



TYPE F



TYPE G



www.nexleds.ca



Email: sales@nexleds.ca

NEXLEDS®

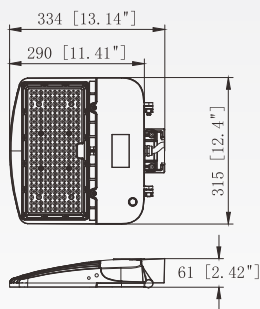
NEXLEDS LTD

Feature:

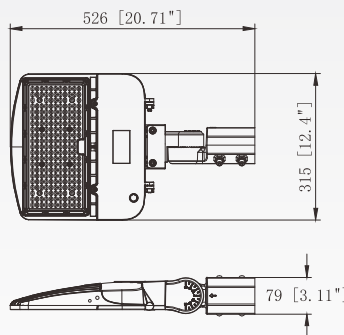
- 1.High efficiency LED Driver, the wide range input voltage AC100-347V, Surge protection: 6KV.
- 2.Lumileds LED high luminous ef ciency and long life.
- 3.Cast aluminium design, better cooling and easy replacement, light quality, LEDTj<185
- 4.Excellent optical design, greatly improve the light utilization and evenness.
- 5.Photocell Control Available (Option).

Product Dimension

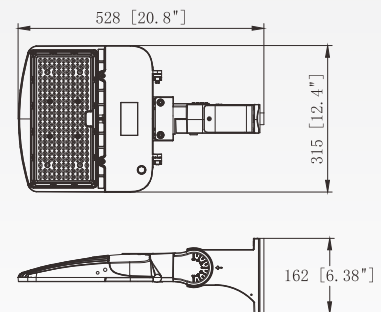
100W&150W



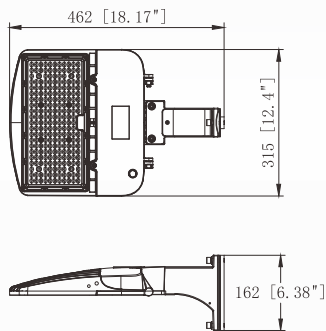
TYPE A



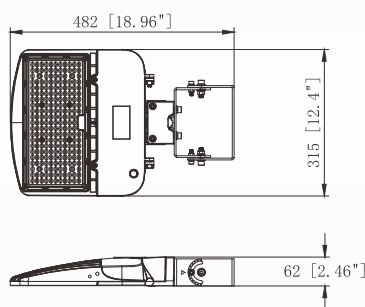
TYPE B



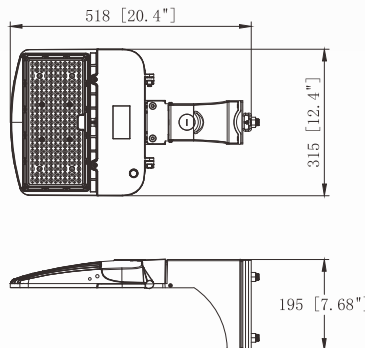
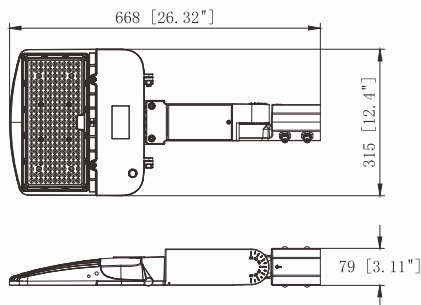
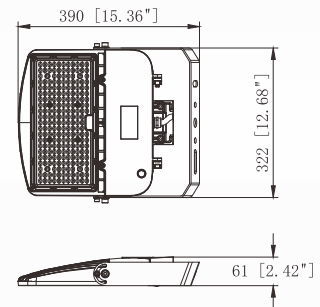
TYPE C



TYPE D

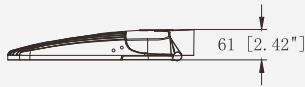
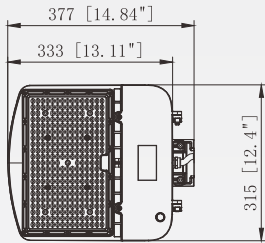


TYPE E

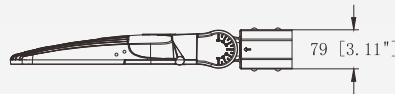
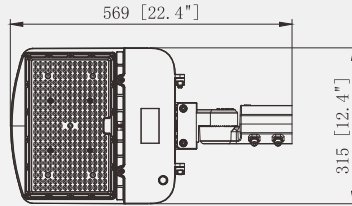


Product Dimension

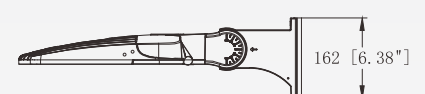
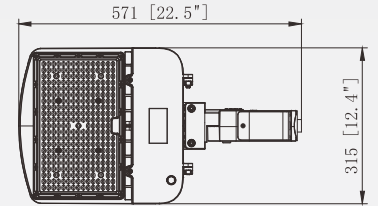
200W



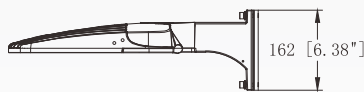
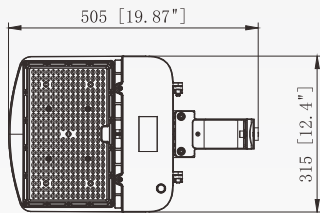
TYPE A



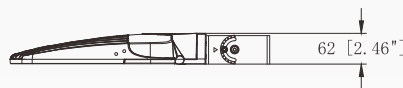
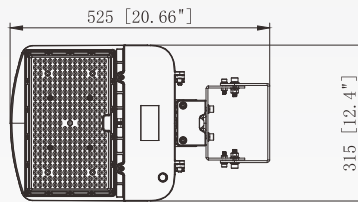
TYPE B



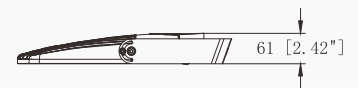
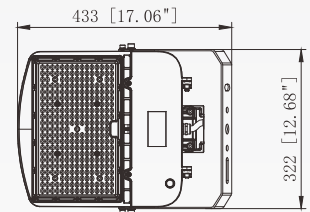
TYPE C



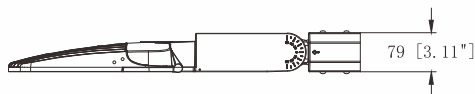
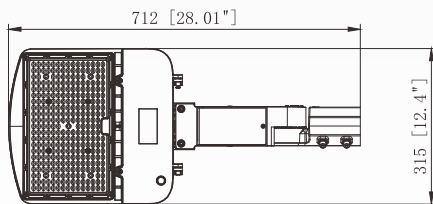
TYPE D



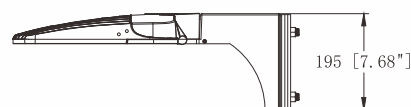
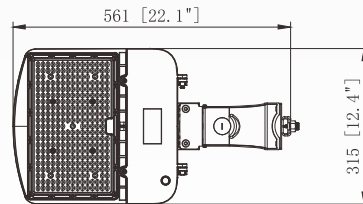
TYPE E



TYPE F



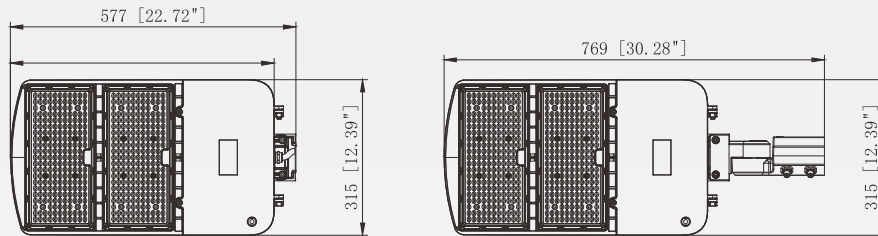
TYPE G



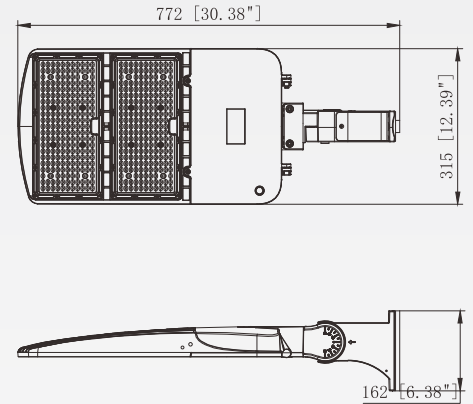
Product Dimension

240W&300W

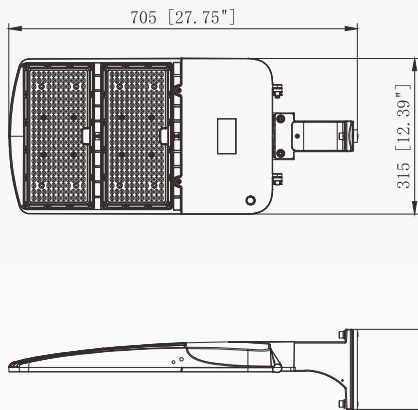
TYPE A



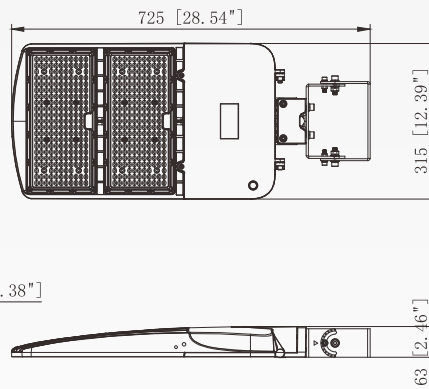
TYPE B



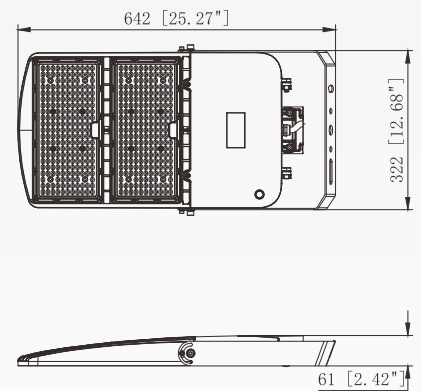
TYPE C



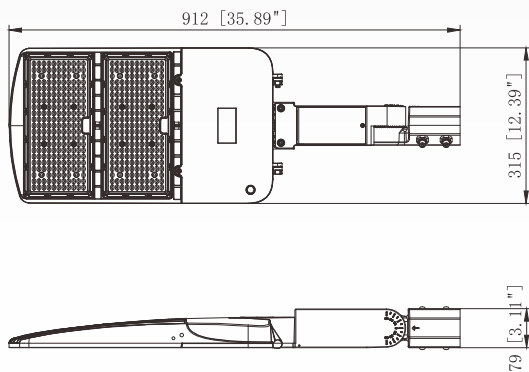
TYPE D



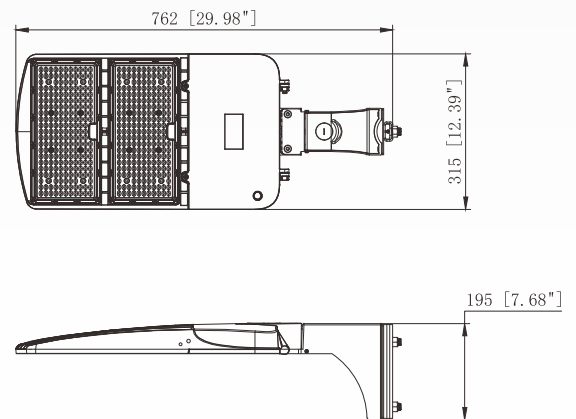
TYPE E



TYPE F



TYPE G

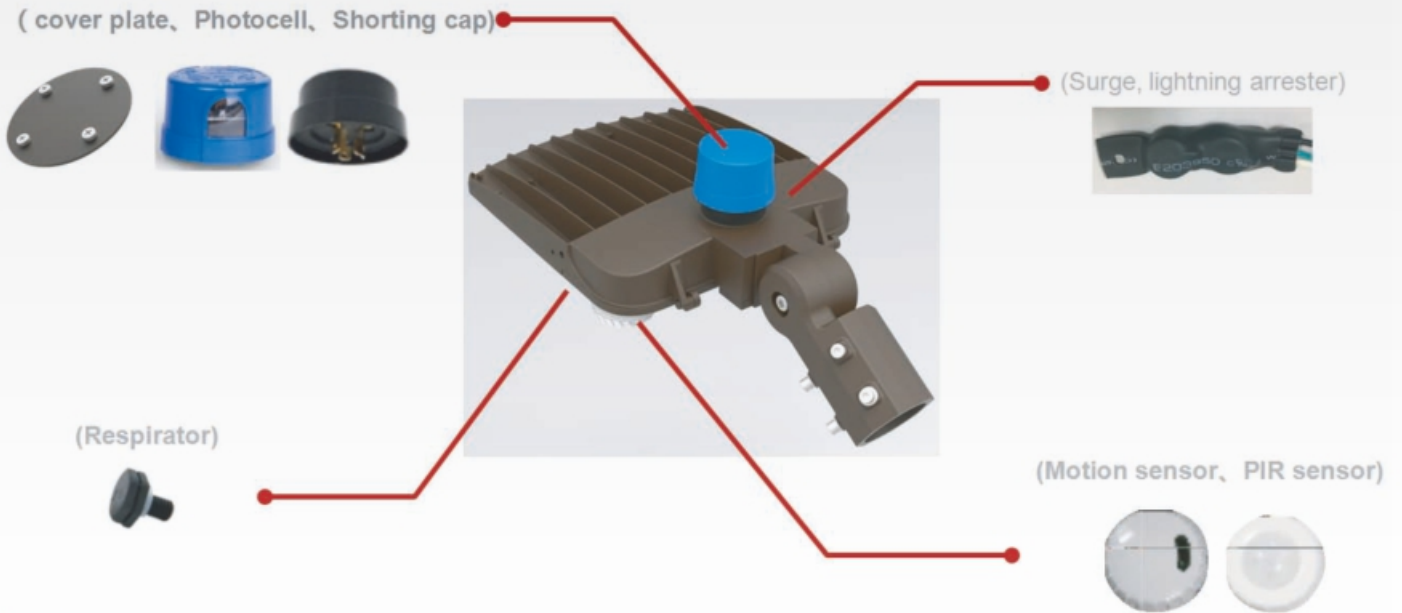


SPECIFICATION

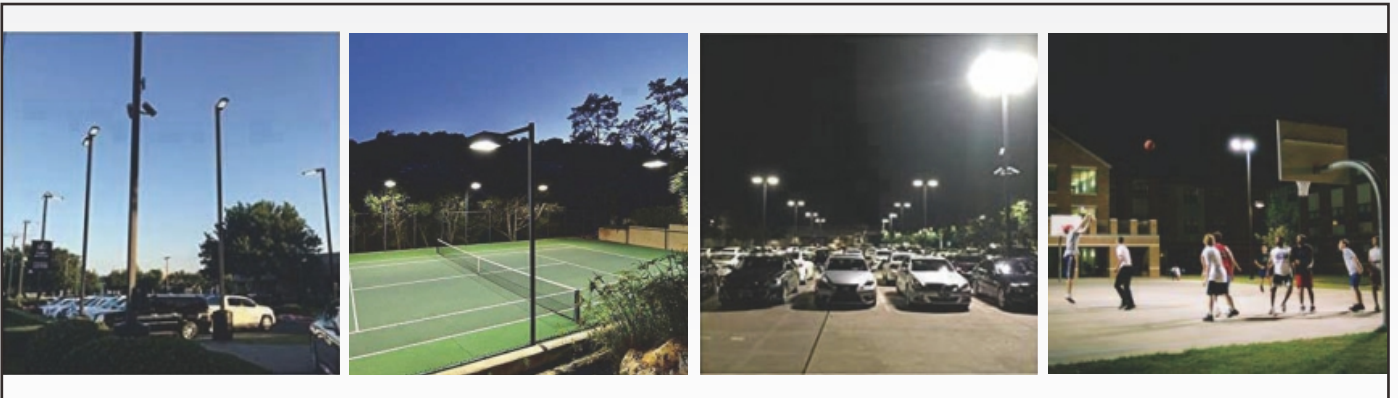
NEXLEDS®

NEXLEDS LTD

Extended function



Product Application



Packing /weight

The fixture and bracket will be packed separately.

fixture	Outer box (L*W*H)	Qty/Ctn (pcs)	N.W/pcs (lbs/Kg)	G.W/pcs (lbs/Kg)	Remarks
100W	18.11**14.37**5.71" 460*365*145mm	1	6.28/2.85	8.29/3.76	1.0M cable
150W		1	6.48/2.94	8.50/3.86	
200W	19.84**14.37**5.71" 504*365*145mm	1	6.96/3.16	8.86/4.02	
240W	27.72**14.37**5.71" 704*365*145mm	1	10.31/4.68	12.56/5.70	
300W		1	10.75/4.88	13.00/5.90	

Bracket	Inber box (L*W*H)	Outer box (L*W*H)	Qty/Ctn (pcs)	N.W/pcs (lbs/Kg)	G.W/pcs (lbs/Kg)
TYPE A	9.25**4.33**3.54" 235*110*90mm	14.96**9.29**10.04" 380*236*255mm	8	2.95/1.34	3.39/1.54
TYPE B	9.45**6.61**4.13" 240*168*105mm	17.32**13.86**10.24" 440*352*260mm	8	3.92/1.78	4.36/1.98
TYPE C	6.93**6.61**3.94" 176*168*100	16.54**13.86**7.72" 420*352*196mm	8	2.47/1.12	2.66/1.21
TYPE D	7.09**7.09**2.76" 180*180*70mm	14.80**11.81**7.87" 376*300*200mm	8	2.91/1.32	3.35/1.52
TYPE E	15**3.9**3.39" 381*99*86mm	15.59**14.33**8.66" 396*364*220mm	8	2.02/0.92	2.42/1.10

Safety Information

- Using the standard working voltage: 100-347V, 50/60Hz, do not exceed.
- Be sure the power supply is turned off before installation.
- Switch off power of the mains supply or the connection lead respectively before doing any works.
- Please note waterproof, dustproof, electricity prevention and shockproof for the external power wires.
- Directly fix bolts on the installation stem through the hole on the mounting bracket.
- Be sure the connection between the wires is in good condition when install the lamps, beware of leakage.
- Please read the specification carefully before installation.
- The complete installation must be handled by an electrical expert.

