



WALL MOUNT
HID OUTDOOR
FLOOD LIGHT
SMALL SIZE
WMS-100-HPS-MT



PROJECT	Canadalite.com
FIXTURE TYPE	
MODEL	
LAMP	
CONTACT/TELEPHONE	1(888)887-7038

Specifications

Description

Outdoor wall mounted small size HID flood light, CUL listed for wet location. Designed for easy installation with 100W High Pressure Sodium lamp Multi Tap (120/277/347V) configuration.

Lamp Wattage / Type

- Supplied with 100W clear medium base, E17 HPS.

Features

- Designed for residential/commercial applications.
- Fast and easy mounting to reduce installation cost.
- Heat resistant borosilicate glass lens.
- aluminum reflector diffuser provide effective light distribution.

Housing

- Die-cast aluminum housing designed for maximum heat dissipation.
- Fully gasket housing to prevent water, dirt, and bugs from entering the optical compartment.
- Electrostatic powder finish in bronze and white.

Electrical

- 120/277/347V, 60Hz.
- Capable of starting from -30°C.
- Prewired for 347V.

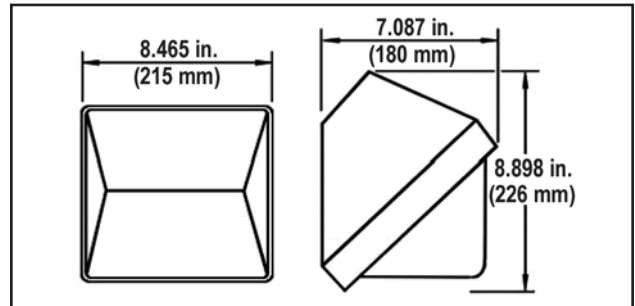
Dimensions & Ordering Guide

Model

WMS-100-HPS-MT-BR
WMS-100-HPS-MT-WH

Description

Bronze Housing
White Housing
• 100W multi-tap HPS energy saving small size flood light designed for outdoor wet location applications



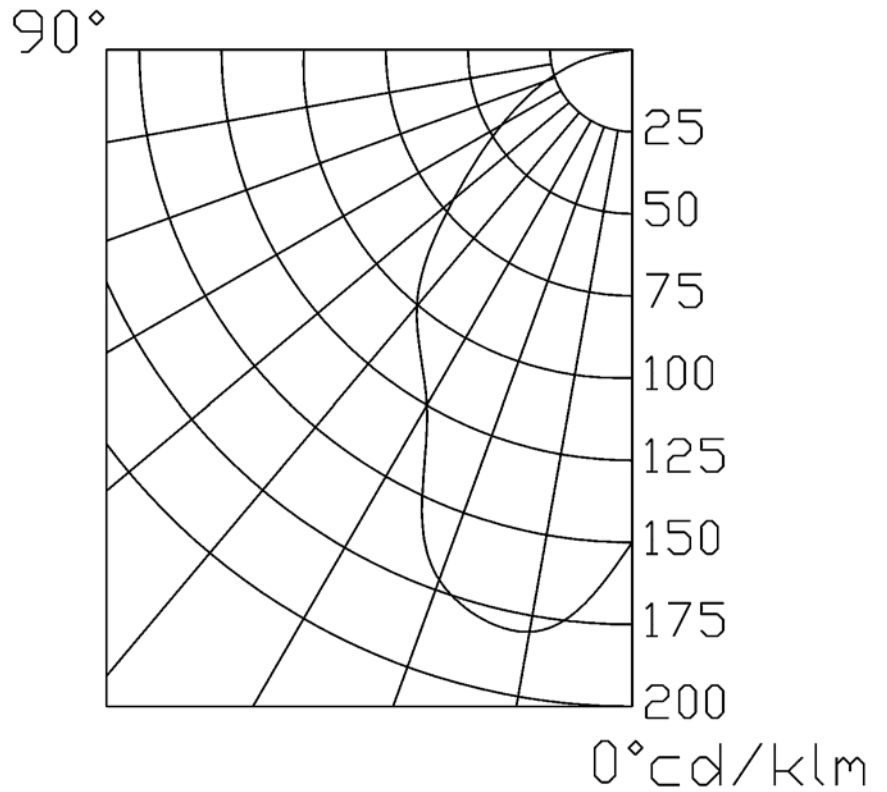
Listings



LITELINE CORPORATION

8 Abacus Road, Brampton, Ontario, Canada L6T 5B7
Tel: 416-996-1856 • Fax: 905-794-1990 / 1-888-738-9736
E-mail: sales@liteline.com • Website: liteline.com

Product specifications subject to change without notice.



Listings



LITELINE CORPORATION

8 Abacus Road, Brampton, Ontario, Canada L6T 5B7
Tel: 416-996-1856 • Fax: 905-794-1990 / 1-888-738-9736
E-mail: sales@liteline.com • Website: liteline.com

Product specifications subject to change without notice.