



WALL MOUNT  
HID OUTDOOR  
FLOOD LIGHT  
SMALL SIZE  
WMS-100-HPS-120



PROJECT	Canadalite.com
FIXTURE TYPE	
MODEL	
LAMP	
CONTACT/TELEPHONE	1(888)887-7038

## Specifications

### Description

Outdoor wall mounted small size HID flood light, CUL listed for wet location. Designed for easy installation with 100W High Pressure Sodium lamp for 120V application.

### Lamp Wattage / Type

- Supplied with 100W clear medium base, E17 HPS.

### Features

- Designed for residential/commercial applications.
- Fast and easy mounting to reduce installation cost.
- Heat resistant borosilicate glass lens.
- aluminum reflector diffuser provide effective light distribution.

### Housing

- Die-cast aluminum housing designed for maximum heat dissipation.
- Fully gasket housing to prevent water, dirt, and bugs from entering the optical compartment.
- Electrostatic powder finish in bronze and white.

### Electrical

- HID ballast, class "H" insulation, available as normal power factor with 120V input.
- Capable of starting from -30°C.

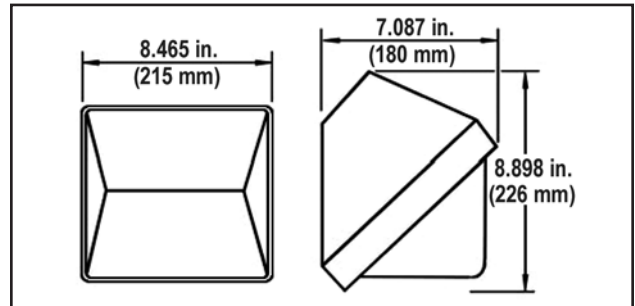
## Dimensions & Ordering Guide

### Model

WMS-100-HPS-120-BR  
WMS-100-HPS-120-WH

### Description

Bronze Housing  
White Housing  
• 100W 120V HPS energy saving small size flood light designed for outdoor wet location applications



## Listings



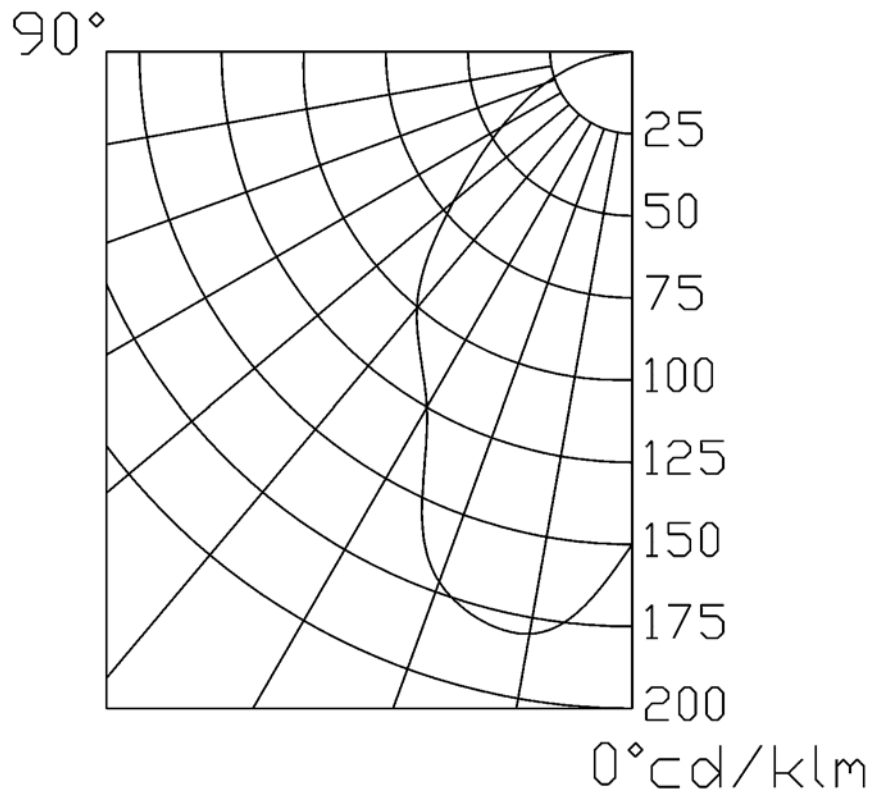
## LITELINE CORPORATION

8 Abacus Road, Brampton, Ontario, Canada L6T 5B7  
Tel: 416-996-1856 • Fax: 905-794-1990 / 1-888-738-9736  
E-mail: sales@liteline.com • Website: liteline.com

Product specifications subject to change without notice.

**WMS-100-HPS-120**

**WALL MOUNT  
HID OUTDOOR FLOOD LIGHT  
SMALL SIZE**



Listings



**LITELINE CORPORATION**

8 Abacus Road, Brampton, Ontario, Canada L6T 5B7  
Tel: 416-996-1856 • Fax: 905-794-1990 / 1-888-738-9736  
E-mail: sales@liteline.com • Website: liteline.com

**Product specifications subject to change without notice.**