



**WALL MOUNT  
HID OUTDOOR  
FLOOD LIGHT  
MID SIZE  
WMM-175-MH-MT**



PROJECT	Canadalite.com
FIXTURE TYPE	
MODEL	
LAMP	
CONTACT/TELEPHONE	1(888)887-7038

**Specifications**

**Description**

Outdoor wall mounted mid size HID flood light, CUL listed for wet location. Designed for easy installation with 175W Metal Halide lamp Multi Tap (120/277/347V) configuration.

**Lamp Wattage / Type**

- Supplied with 175W clear medium base, E17 MH.

**Features**

- Designed for commercial applications.
- Fast and easy mounting to reduce installation cost.
- Heat resistant borosilicate glass lens.
- aluminum reflector diffuser provide effective light distribution.

**Housing**

- Die-cast aluminum housing designed for maximum heat dissipation.
- Fully gasket housing to prevent water, dirt, and bugs from entering the optical compartment.
- Electrostatic powder finish in bronze and white.

**Electrical**

- 120/277/347V, 60Hz.
- Capable of starting from -30°C.
- Prewired for 347V.

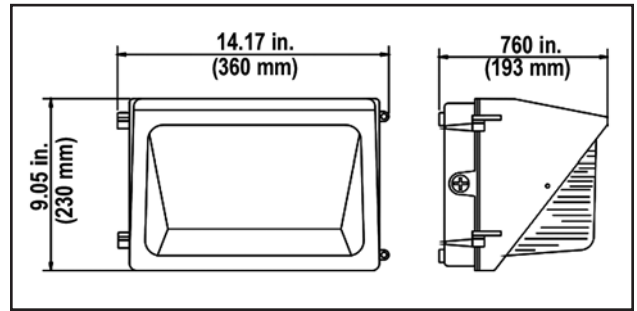
**Dimensions & Ordering Guide**

**Model**

- WMM-175-MH-MT-BR
- WMM-175-MH-MT-WH

**Description**

- Bronze Housing
- White Housing
- 175W multi-tap MH mid size energy saving flood light designed for outdoor wet location applications



**Listings**



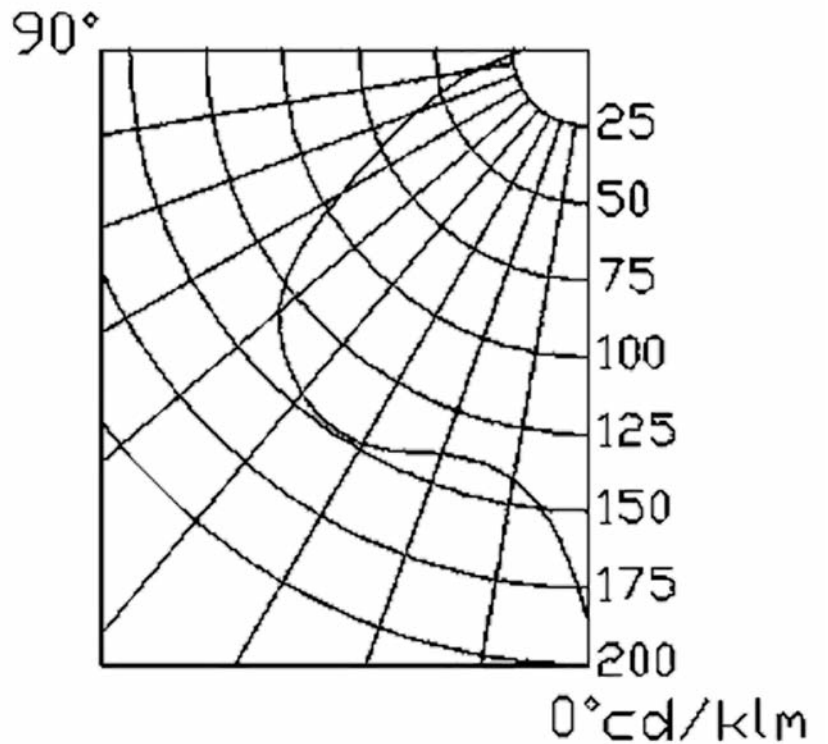
**LITELINE CORPORATION**

8 Abacus Road, Brampton, Ontario, Canada L6T 5B7  
 Tel: 416-996-1856 • Fax: 905-794-1990 / 1-888-738-9736  
 E-mail: sales@liteline.com • Website: liteline.com

**Product specifications subject to change without notice.**

**WMM-175-MH-MT**

**WALL MOUNT HID  
OUTDOOR FLOOD LIGHT  
MID SIZE**



Listings



**LITELINE CORPORATION**

8 Abacus Road, Brampton, Ontario, Canada L6T 5B7  
Tel: 416-996-1856 • Fax: 905-794-1990 / 1-888-738-9736  
E-mail: sales@liteline.com • Website: liteline.com

**Product specifications subject to change without notice.**