



**WALL MOUNT
HID OUTDOOR
FLOOD LIGHT
MID SIZE
WMM-150-HPS-MT**



PROJECT	Canadalite.com
FIXTURE TYPE	
MODEL	
LAMP	
CONTACT/TELEPHONE	1(888)887-7038

Specifications

Description

Outdoor wall mounted mid size HID flood light, CUL listed for wet location. Designed for easy installation with 150W High Pressure Sodium Multi Tap (120/277/347V) configuration.

Lamp Wattage / Type

- Supplied with 150W clear medium base, E17 HPS.

Features

- Designed for commercial applications.
- Fast and easy mounting to reduce installation cost.
- Heat resistant borosilicate glass lens.
- aluminum reflector diffuser provide effective light distribution.

Housing

- Die-cast aluminum housing designed for maximum heat dissipation.
- Fully gasket housing to prevent water, dirt, and bugs from entering the optical compartment.
- Electrostatic powder finish in bronze and white.

Electrical

- 120/277/347V, 60Hz.
- Capable of starting from -30°C.
- Prewired for 347V.

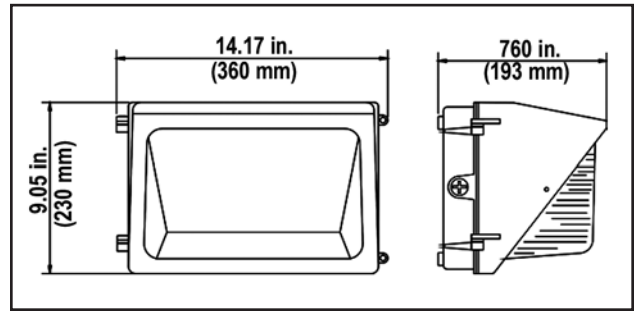
Dimensions & Ordering Guide

Model

- WMM-150-HPS-MT-BR
- WMM-150-HPS-MT-WH

Description

- Bronze Housing
- White Housing
- 150W multi-tap HPS mid size energy saving flood light designed for outdoor wet location applications



Listings



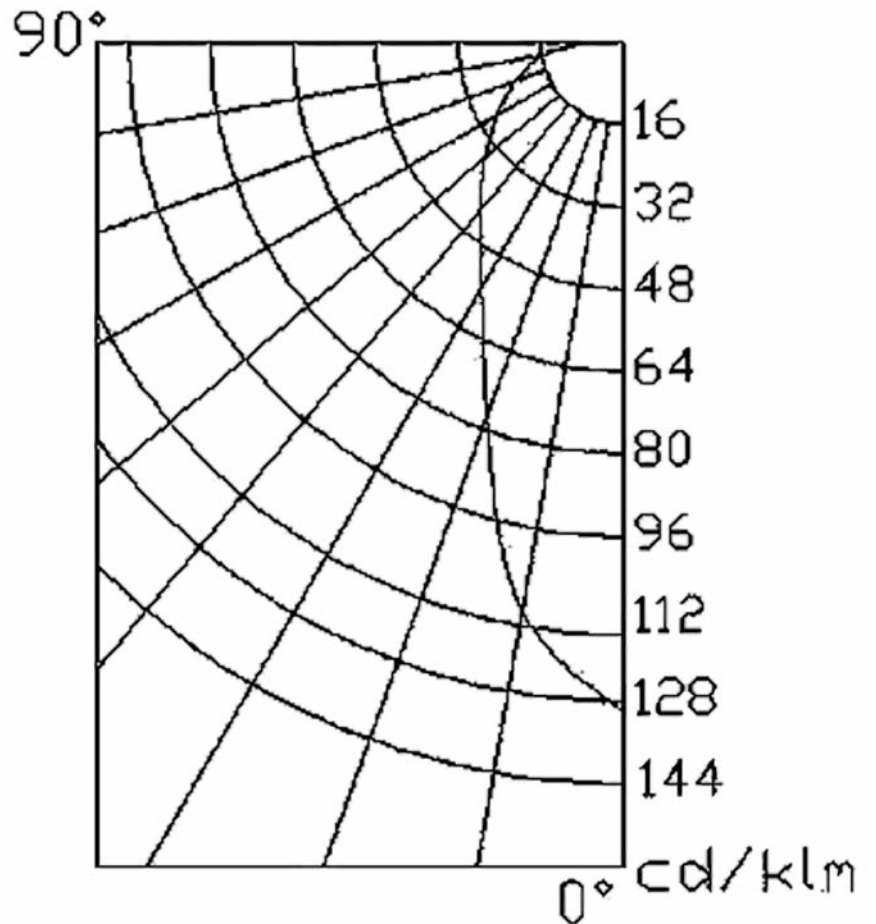
LITELINE CORPORATION

8 Abacus Road, Brampton, Ontario, Canada L6T 5B7
Tel: 416-996-1856 • Fax: 905-794-1990 / 1-888-738-9736
E-mail: sales@liteline.com • Website: liteline.com

Product specifications subject to change without notice.

WMM-150-HPS-MT

**WALL MOUNT HID
OUTDOOR FLOOD LIGHT
MID SIZE**



Listings



LITELINE CORPORATION

8 Abacus Road, Brampton, Ontario, Canada L6T 5B7
Tel: 416-996-1856 • Fax: 905-794-1990 / 1-888-738-9736
E-mail: sales@liteline.com • Website: liteline.com

Product specifications subject to change without notice.