



WALL MOUNT  
HID OUTDOOR  
FLOOD LIGHT  
LARGE SIZE  
WML-250-MH-MT



PROJECT	Canadalite.com
FIXTURE TYPE	
MODEL	
LAMP	
CONTACT/TELEPHONE	1(888)887-7038

## Specifications

### Description

Outdoor wall mounted large size HID flood light, CUL listed for wet location. Designed for easy installation with 250W Metal Halide lamp for 120V application.

### Lamp Wattage / Type

- Supplied with 250W clear mogul base, ED28 MH.

### Features

- Designed for commercial applications.
- Fast and easy mounting to reduce installation cost.
- Heat resistant borosilicate glass lens.
- Aluminum reflector diffuser provide effective light distribution.

### Housing

- Die-cast Aluminum housing designed for maximum heat dissipation.
- Fully gasket housing to prevent water, dirt, and bugs from entering the optical compartment.
- Electrostatic powder finish in bronze and white.

### Electrical

- 120/277/347V, 60Hz.
- Capable of starting from -30°C.

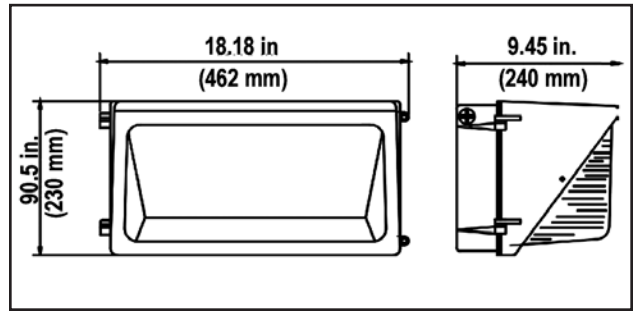
## Dimensions & Ordering Guide

### Model

WML-250-MH-MT-BR  
WML-250-MH-MT-WH

### Description

Bronze Housing  
White Housing  
• 250W multi-tap MH large size energy saving flood light designed for outdoor wet location applications



## Listings



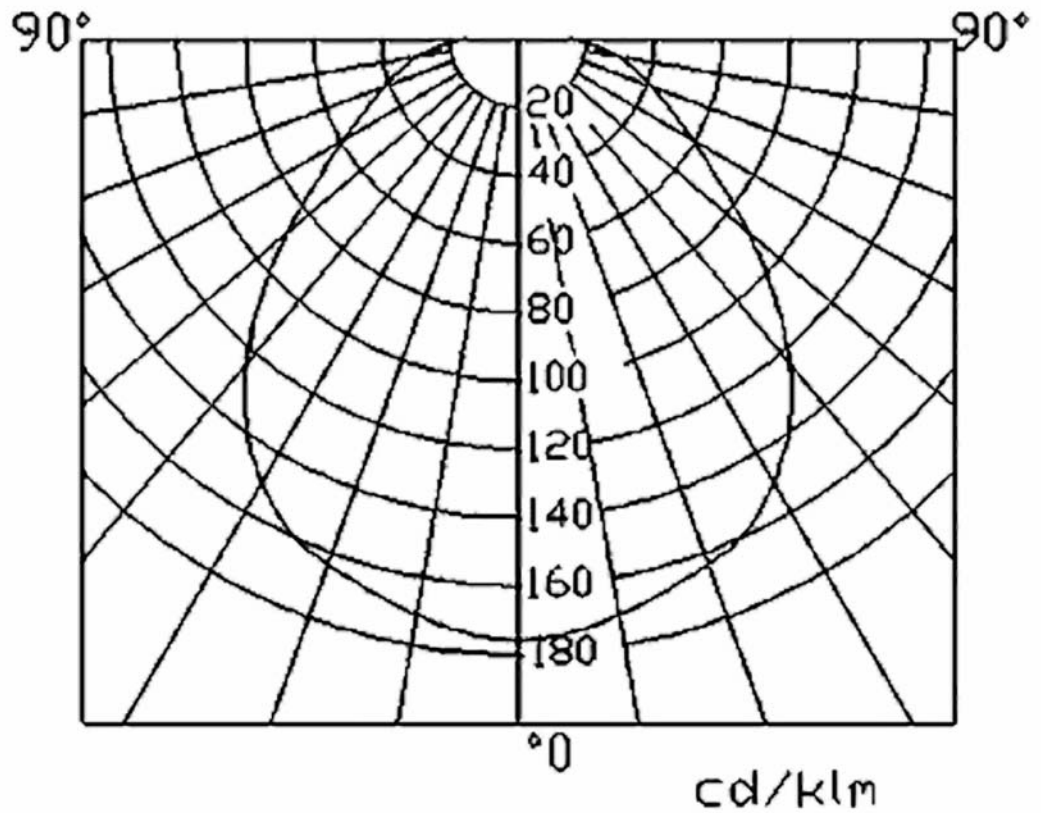
## LITELINE CORPORATION

8 Abacus Road, Brampton, Ontario, Canada L6T 5B7  
Tel: 416-996-1856 • Fax: 905-794-1990 / 1-888-738-9736  
E-mail: sales@liteline.com • Website: liteline.com

Product specifications subject to change without notice.

**WML-250-MH-MT**

**WALL MOUNT HID  
OUTDOOR FLOOD LIGHT  
LARGE SIZE**



Listings



**LITELINE CORPORATION**

8 Abacus Road, Brampton, Ontario, Canada L6T 5B7  
Tel: 416-996-1856 • Fax: 905-794-1990 / 1-888-738-9736  
E-mail: sales@liteline.com • Website: liteline.com

**Product specifications subject to change without notice.**