



**HID OUTDOOR  
LIGHT FIXTURE**  
DARK SKY WALL  
MOUNT  
DWM-400-HPS-MT



PROJECT	Canadalite.com
FIXTURE TYPE	
MODEL	
LAMP	
CONTACT/TELEPHONE	1(888)887-7038

## Specifications

### Description

Die-cast aluminum housing with 1/2" NPS tapped holes located on the top and both sides of the fixture and mounting option on the back. Side hinged lens frame for ease of relamping.

- Smooth glazed finish available in two colours: White and Bronze.

### Features

- Die cast aluminum housing, aluminum reflector.
- Borosilicate glass lens.
- Heavy duty design.
- With one 400W HPS lamp included.
- Long life in high ambient applications.

### Application

- Ideal for mounting above entry ways.
- Loading docks.
- Building perimeters.
- Outdoor warehouse lighting.

### Electrical

- 120/277/347V, 60 Hz
- Amperage: 3.5/1.5/1.5
- Socket: E39, 4KV
- Free wired 347V
- 55UF ± 5%
- -30°C to 100°C
- C22.2 No.190

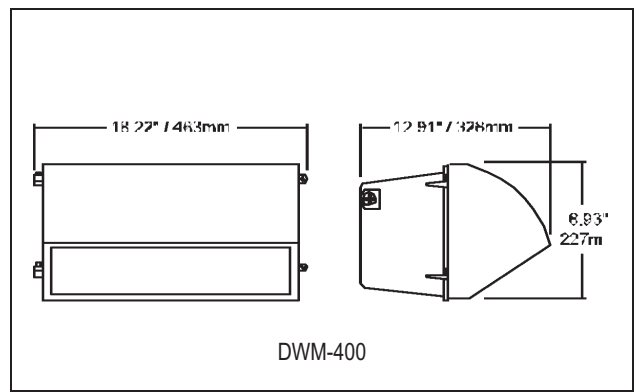
## Dimensions & Ordering Guide

### Model

DWM-400-HPS-MT-BR  
DWM-400-HPS-MT-WH

### Colour

Bronze  
White



*All dimensions are in inches / millimeters*

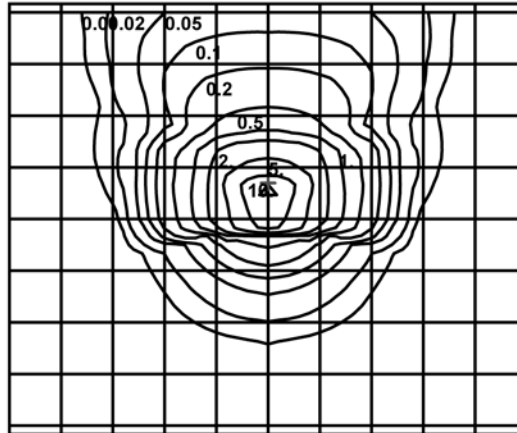
## LITELINE CORPORATION

8 Abacus Road, Brampton, Ontario, Canada L6T 5B7  
Tel: 416-996-1856 • Fax: 905-794-1990 / 1-888-738-9736  
E-mail: sales@liteline.com • Website: liteline.com

**Product specifications subject to change without notice.**

**HID OUTDOOR LIGHT FIXTURE DWM-400-HPS-MT**

ISO-ILLUMINANCE DIAGRAM (fc)

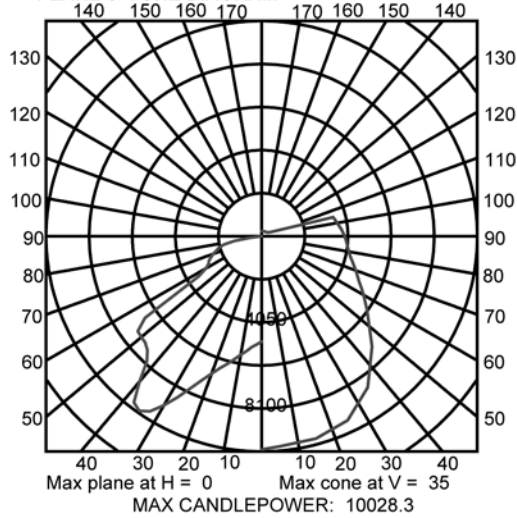


Mounting Height	Multiplier
10	4.000
15	1.778
20	1.000
25	0.640
30	0.444
35	0.327
40	0.250
45	0.198
50	0.160

+ = Point of max candela

Mounting Height = 20 Feet. Each box represents one mounting height.

PLANE & CONE DIAGRAM



Listings



**LITELINE CORPORATION**

8 Abacus Road, Brampton, Ontario, Canada L6T 5B7  
Tel: 416-996-1856 • Fax: 905-794-1990 / 1-888-738-9736  
E-mail: sales@liteline.com • Website: liteline.com

Product specifications subject to change without notice.