



**HID OUTDOOR
LIGHT FIXTURE**
DARK SKY WALL
MOUNT

DWM-250-HPS-MT



PROJECT **Canadalite.com**

FIXTURE TYPE

MODEL

LAMP

CONTACT/TELEPHONE 1(888)887-7038

Specifications

Description

Die-cast aluminum housing with 1/2" NPS tapped holes located on the top and both sides of the fixture and mounting option on the back. Side hinged lens frame for ease of relamping.

- Smooth glazed finish available in two colours: White and Bronze

Features

- Die cast aluminum housing, aluminum reflector.
- Borosilicate glass lens.
- Heavy duty design.
- With one 250W HPS lamp included or H-37.
- Wall Pack weather proof enclosure.

Application

- Ideal for mounting above entry ways.
- Loading docks.
- Building perimeters.
- Outdoor warehouse lighting.

Electrical

- 120/277/347V, 60 Hz
- Amperage: 2.6/1.1/1.1
- Socket: E39, 4KV / M58 Lamp (MH250W-MOG) or H-37
- Free wired 347V
- Capacitor: MKP15JRL
- 400V AC 50/60 Hz
- 15MF ± 5%
- -30°C to 85°C
- C22.2 No.190

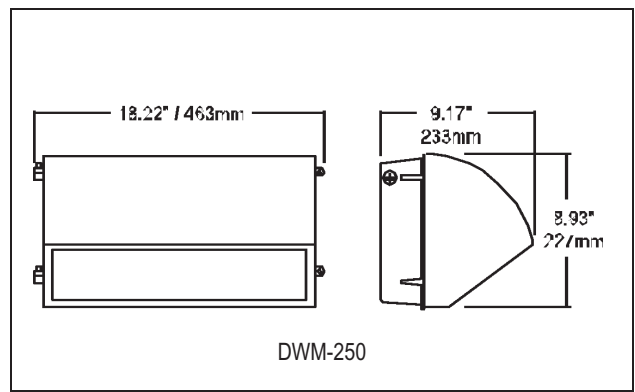
Dimensions & Ordering Guide

Model

DWM-250-HPS-MT-BR
DWM-250-HPS-MT-WH

Colour

Bronze
White



All dimensions are in inches / millimeters

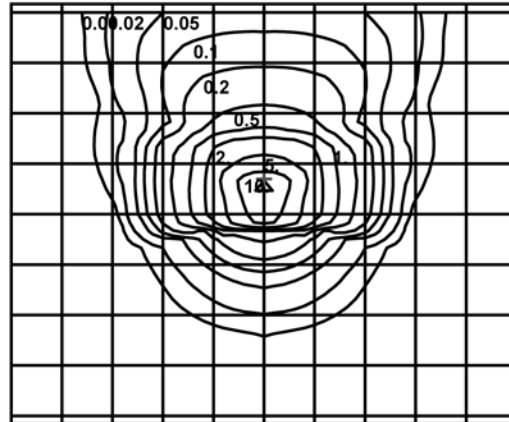
LITELINE CORPORATION

8 Abacus Road, Brampton, Ontario, Canada L6T 5B7
Tel: 416-996-1856 • Fax: 905-794-1990 / 1-888-738-9736
E-mail: sales@liteline.com • Website: liteline.com

Product specifications subject to change without notice.

HID OUTDOOR LIGHT FIXTURE DWM-250-HPS-MT

ISO-ILLUMINANCE DIAGRAM (fc)

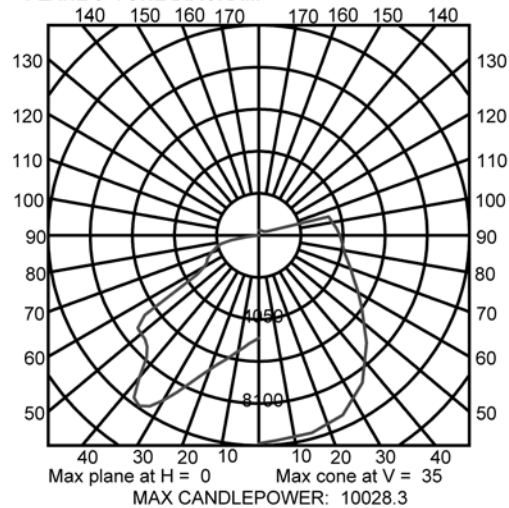


Mounting Height	Multiplier
10	4.000
15	1.778
20	1.000
25	0.640
30	0.444
35	0.327
40	0.250
45	0.198
50	0.160

+ = Point of max candela

Mounting Height = 20 Feet. Each box represents one mounting height.

PLANE & CONE DIAGRAM



Listings



LITELINE CORPORATION

8 Abacus Road, Brampton, Ontario, Canada L6T 5B7
Tel: 416-996-1856 • Fax: 905-794-1990 / 1-888-738-9736
E-mail: sales@liteline.com • Website: liteline.com

Product specifications subject to change without notice.