

# LITELINE

TM  
MC



# HARDWIRE BOX

with 12 ft. wiring harness  
for Xenon & Halogen Pucks

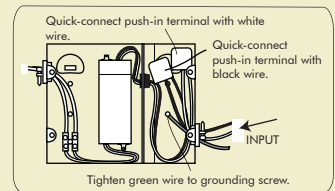
Approved for Hardwire & field modifications

## Description

A metal hardwire box, with a 60W electronic transformer and a 12 foot long wiring harness that can connect up to 3 pucks. Available in White.

## Features & Benefits

- Approved for Hardwire & field modifications
- Hardwire up to three pucks directly to the hardwire box or connect two or three pucks using the 12 foot wiring harness.
- Comes with 60W class II transformer with built-in short circuit protection.
- Quick-connect push-in terminals are suitable for #20 - #12 AWG solid wires.
- Input/Output: 120V/12V AC.
- For use with electronic low voltage dimmer.
- Two of the 2 in 2 out terminals built inside the hardwire box are suitable for #10 to #18 AWG wires.
- 8 electric knock outs - 7/8" for easy connection.
- Mounting hardware included.
- Compatible with all Liteline Xenon and Halogen pucks and kits.
- ETL approved



## Accessories

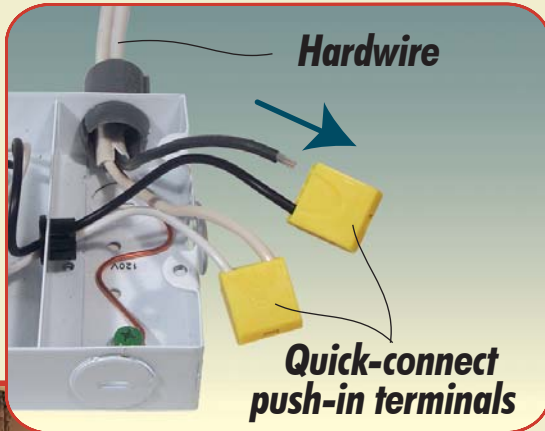
- Metal Puck lights - 20W
- Single Xenon Puck lights - 20W
- 3 Xenon Puck lights - 20W
- Single Xenon Puck lights - 10W
- Single Xenon Puck lights - 20W

## Part No.

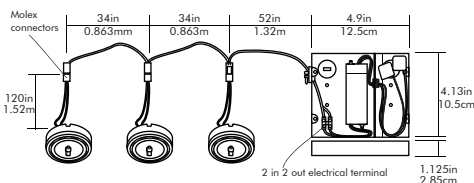
- ML-1JC20
- CL-1JC20X
- CL-3JC20X
- CL-1PSRX10
- CL-1PSRX20

All pucks are available in various colours-Black, White, Chrome, Gold, Brushed Chrome and Pewter

Model	Catalogue No.	UPC	Colour Box	Case Qty.
Hardwire Box	CL-HWB12-WH	7-71250-91371-5	Yes	6
Hardwire Box	CL-HWB12-BK	7-71250-91370-8	Yes	6

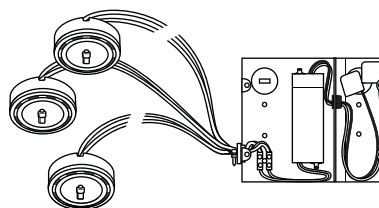


### CONNECTION WITH WIRING HARNESS



- Connect puck lights to wiring harness with molex connectors.
- Loosen screws from the electrical terminal.
- Remove the molex connector to be connected to electrical terminal from wiring harness and strip end of wires.
- Push the stripped wires into the electrical terminal and tighten screws.

### CONNECTION OF UP TO 3-PUCK LIGHTS



- Unscrew screws of the electrical terminal.
- Cut and strip one wire from each puck light and splice them together before connect to the wiring terminal. Tighten screws.
- Splice together the remaining wires of the puck lights and connect to the second part of the wiring terminal and tighten screws.

