



**FLUOROTRACK**  
Fluorescent Fixture  
Track Head



BA0231

PROJECT	Canadalite.com
FIXTURE TYPE	
MODEL	BA0231
LAMP	
CONTACT/TELEPHONE	1(888)887-7038

**Specifications**

**Description**

Extruded aluminum 18" compact fluorescent track fixture incorporating a dual biax lamp source. Integral electronic ballast provides efficient and quiet power for biax lamps. Heavy duty yoke allows full vertical and lateral adjustment on the fixture. Dual tightening knobs assure secure lock on vertical angle position.

**Lamps**

2 - Biax\* 39W high-efficient and long life compact fluorescent lamps per fixture for 120V 60Hz application.  
*Lamps sold separately.*

**Housing**

Single piece cast aluminum with end caps welded in place. No exposed fasteners. Textured powder coat paint finish. Heavy duty aiming bracket.

**Electrical**

Energy efficient, lightweight HPF electronic ballasts with low harmonic distortion THD of 1.5% and end of lamp life protection circuit. Sound rated A.

**Engineering Data**

	•Electronic
	<b>120V-HPF</b>
	•39W
Total Input Power	95
Operating Amps	0.79
Power Factor	0.999
T.H.D.	1.2%
Min. Starting Temp.	-20°C
Crest Factor	1.5
Ballast Factor	0.85

**Reflector and Louver**

High efficiency specular reflector provides maximum lamp performance. Parabolic injection-molded specular louver for high efficiency and excellent lamp shielding. Louver may be removed without tools for convenient relamping. Non combustible. *Louver sold separately.*

**Listings**



**LITELINE CORPORATION**

8 Abacus Road, Brampton, Ontario, Canada L6T 5B7  
Tel: 416-996-1856 • Fax: 905-794-1990 / 1-888-738-9736  
E-mail: sales@liteline.com • Website: www.liteline.com

**Dimensions & Ordering Guide**

**Model**

BA0231-BK-PL  
BA0231-WH-PL  
BA0231-BN-PL

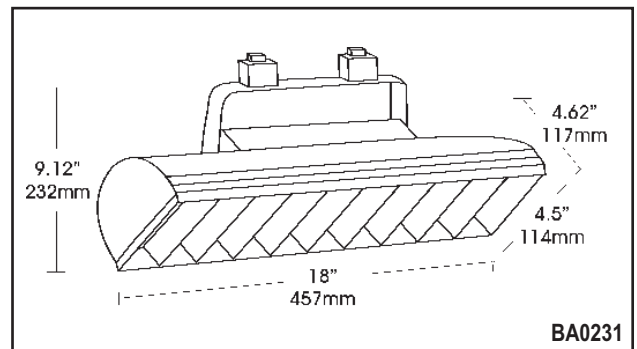
**Colour**

Black  
White  
Brushed Nickel

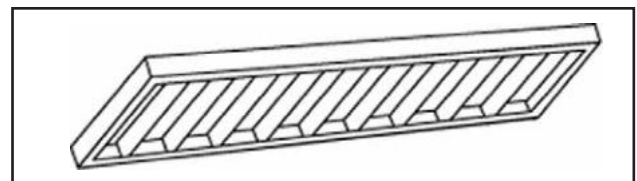
PL0231-SS

*(Sold Separately)*

18" Specular Silver  
Parabolic Louver



*All dimensions are in inches / millimeters*



*Louver sold separately.*

**Socket**

4-pin socket to accept 2G11 base biax compact fluorescent light sources. Two per fixture placed on outside edges of fixture facing in for even, shadow free illumination.

**Mounting**

Dual point mounting. Integral track mounting adapter(s). Can be adapted for different types of track.

**Note: \*Electronic Ballast has a five year warranty.**

*\*Biax is a registered trademark of the General Electric Co.*

**Product specifications subject to change without notice.**

**FLUOROTRACK – BA0231**

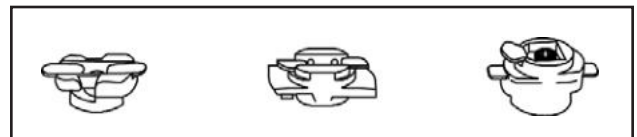
<b>BA0231</b>	Distance from Ceiling	<b>Single Fixture Performance</b>						<b>Multiple Fixture Performance</b>										
		0	1'	2'	3'	4'	5'	← 2' →			← 3' →							
TRACK 3' FROM WALL	□	Illuminance - Footcandles						□		□	□	□	□	□	□	□	□	□
← 3' →	1'	108	89	49	22	9	3	154	150	154	126	100	126					
45°	2'	81	70	44	23	12	5	131	132	131	105	92	105					
	3'	62	55	38	23	13	7	116	114	116	88	84	88					
	4'	40	36	28	19	12	7	86	84	86	64	64	64					
	5'	25	24	20	15	10	7	63	62	63	45	48	45					
	6'	14	13	12	10	8	6	42	40	42	30	32	30					
Two 39W Biax*	7'	9	9	8	7	6	4	29	28	29	21	22	21					
Lamps 5,800	8'	7	7	6	5	5	4	23	22	23	17	18	17					
Total Lumens	9'	4	4	4	3	3	2	14	14	14	10	12	10					

<b>BA0231</b>	Distance from Ceiling	<b>Single Fixture Performance</b>						<b>Multiple Fixture Performance</b>										
		0	1'	2'	3'	4'	5'	← 2' →			← 3' →							
TRACK 4' FROM WALL	□	Illuminance - Footcandles						□		□	□	□	□	□	□	□	□	□
← 4' →	1'	67	59	40	23	12	6	119	118	119	91	86	91					
45°	2'	52	47	34	22	13	8	104	104	104	78	76	78					
	3'	48	44	33	23	14	9	102	102	102	76	76	76					
	4'	35	33	26	19	13	9	85	82	85	61	64	61					
	5'	25	24	20	16	12	8	67	66	67	49	50	49					
	6'	16	16	13	11	9	7	48	46	48	34	36	34					
Two 39W Biax*	7'	10	10	9	8	7	5	34	32	34	24	26	24					
Lamps 2,500	8'	7	7	7	6	5	5	27	24	27	17	22	17					
Total Lumens	9'	6	5	5	5	4	3	22	18	22	14	16	14					

\*Biax is a registered trademark of the General Electric Co.

**Compatibility**

Liteline track fixtures are compatible with JUNO®, HALO® and most brands configured to Halo®, (Emerald, Hampton Bay) track system design.



JUNO® STYLE

LITELINE STYLE

HALO® STYLE

Halo® is a registered trademark of Cooper Lighting

Juno® is a registered trademark of Juno Lighting

**Listings**



**LITELINE CORPORATION**

8 Abacus Road, Brampton, Ontario, Canada L6T 5B7  
Tel: 416-996-1856 • Fax: 905-794-1990 / 1-888-738-9736  
E-mail: sales@liteline.com • Website: www.liteline.com

**Product specifications subject to change without notice.**