



FLUOROTRACK
Fluorescent Fixture
Track Head

BA0227



PROJECT	Canadalite.com
FIXTURE TYPE	
MODEL	
LAMP	
CONTACT/TELEPHONE	1(888)887-7038

Specifications

Description

Extruded aluminum 14.25" compact fluorescent track fixture incorporating a dual biax lamp source. Integral electronic ballast provides efficient and quiet power for biax lamps. Heavy duty yoke allows full vertical and lateral adjustment on the fixture. Dual tightening knobs assure secure lock on vertical angle position.

Lamps

2 - Biax* 27W high-efficient and long life compact fluorescent lamps per fixture for 120V 60Hz application.
Lamps sold separately.

Housing

Single piece cast aluminum with end caps welded in place. No exposed fasteners. Textured powder coat paint finish. Heavy duty aiming bracket.

Electrical

Energy efficient, lightweight HPF electronic ballasts with low harmonic distortion THD of 1.25% and end of lamp life protection circuit. Sound rated A.

Engineering Data

	•Electronic
	120V-HPF
	•27W
Total Input Power	66
Operating Amps	0.547
Power Factor	0.999
T.H.D.	1.25%
Min. Starting Temp.	-20°C
Crest Factor	1.5
Ballast Factor	0.88

Reflector and Louver

High efficiency specular reflector provides maximum lamp performance. Parabolic injection-molded specular louver for high efficiency and excellent lamp shielding. Louver may be removed without tools for convenient relamping. Non combustible. *Louver sold separately.*

Listings



LITELINE CORPORATION

8 Abacus Road, Brampton, Ontario, Canada L6T 5B7
Tel: 416-996-1856 • Fax: 905-794-1990 / 1-888-738-9736
E-mail: sales@liteline.com • Website: www.liteline.com

Dimensions & Ordering Guide

Model

BA0227-BK-PL
BA0227-WH-PL
BA0227-BN-PL

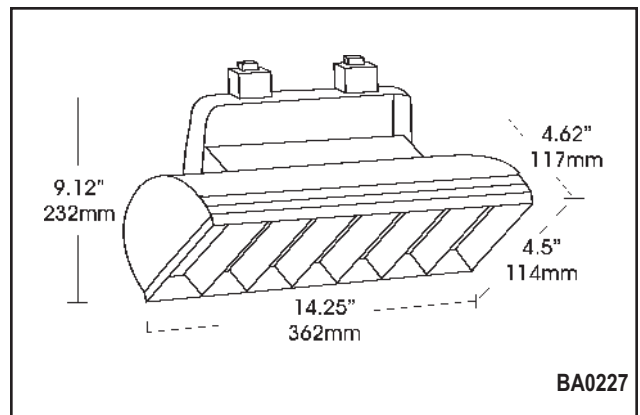
Colour

Black
White
Brushed Nickel

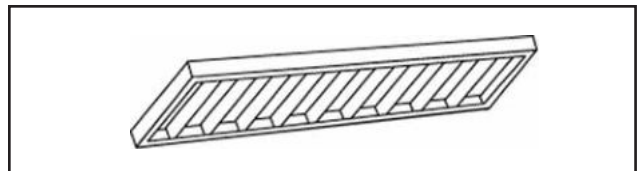
PL0227-SS

(Sold Separately)

14.25" Specular Silver
Parabolic Louver



All dimensions are in inches / millimeters



Louver sold separately.

Socket

4-pin socket to accept 2G11 base biax compact fluorescent light sources. Two per fixture placed on outside edges of fixture facing in for even, shadow free illumination.

Mounting

Dual point mounting. Integral track mounting adapter(s). Can be adapted for different types of track.

Note: *Electronic Ballast has a five year warranty.

**BiAx is a registered trademark of the General Electric Co.*

Product specifications subject to change without notice.



FLUOROTRACK – BA0227

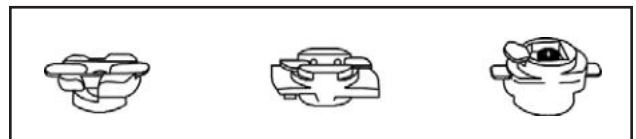
Distance from Ceiling	Single Fixture Performance											Multiple Fixture Performance							
	0	1'	2'	3'	4'	5'	6'	7'	8'	9'	3'				4'				
TRACK 3' FROM WALL	Illuminance - Footcandles											Illuminance - Footcandles				Illuminance - Footcandles			
1'	53.94	42.98	23.61	10.55	4.28	1.79	0.87	0.63	0.59	0.59	76.8	73.4	73.4	76.6	63.2	56.0	49.1	56.1	63.2
2'	59.29	49.00	29.51	14.56	6.70	3.12	1.57	0.90	0.64	0.57	91.6	89.4	89.2	90.7	73.4	67.7	62.3	67.7	73.4
3'	38.19	33.08	22.32	12.98	7.09	3.80	2.14	1.27	0.84	0.67	68.5	67.7	67.3	67.1	53.3	51.2	49.0	51.3	53.3
4'	23.21	20.93	15.69	10.34	6.43	3.90	2.42	1.54	1.06	0.84	48.8	48.6	48.1	47.2	37.2	36.8	36.3	36.8	37.2
5'	15.09	14.01	11.32	8.21	5.55	3.64	2.43	1.66	1.22	0.99	36.4	36.3	35.8	35.0	27.5	27.6	27.5	27.6	27.5
6'	9.67	9.16	7.79	6.14	4.56	3.26	2.32	1.69	1.31	1.12	26.6	26.5	26.1	25.3	20.1	20.3	20.2	20.3	20.1
7'	6.43	6.19	5.48	4.53	3.60	2.78	2.12	1.63	1.31	1.16	19.7	19.7	19.3	18.7	14.9	15.2	15.2	15.2	14.9
8'	4.48	4.36	3.99	3.46	2.88	2.36	1.89	1.53	1.30	1.19	15.2	15.2	14.9	14.3	11.5	11.7	11.8	11.7	11.5
9'	3.43	3.37	3.14	2.81	2.07	2.07	1.72	1.44	1.26	1.18	12.5	12.5	12.2	11.8	9.5	9.7	9.7	9.7	9.5

Distance from Ceiling	Single Fixture Performance											Multiple Fixture Performance							
	0	1'	2'	3'	4'	5'	6'	7'	8'	9'	3'				4'				
TRACK 4' FROM WALL	Illuminance - Footcandles											Illuminance - Footcandles				Illuminance - Footcandles			
1'	30.86	26.91	18.63	10.99	5.94	3.11	1.69	1.00	0.72	0.63	55.8	56.3	55.8	55.5	43.6	42.1	40.8	42.2	43.6
2'	34.71	30.86	22.13	13.81	7.98	4.43	2.52	1.50	0.97	0.74	67.1	67.5	67.1	66.6	51.8	50.7	49.4	50.8	51.8
3'	29.90	27.06	20.58	13.71	8.38	5.03	3.07	1.93	1.28	0.96	63.2	63.5	63.1	62.5	48.0	47.8	47.4	47.9	48.0
4'	20.24	18.71	15.02	10.86	7.41	4.91	3.23	2.15	1.53	1.19	48.3	48.5	48.3	47.7	36.7	36.7	36.6	36.8	36.7
5'	13.95	13.12	11.10	8.57	6.26	4.46	3.15	2.23	1.66	1.34	37.3	37.4	37.3	36.7	28.2	28.5	28.5	28.5	28.2
6'	10.54	10.10	8.77	7.13	5.44	4.04	2.97	2.20	1.73	1.47	30.6	30.8	30.6	30.1	23.2	23.5	23.5	23.5	23.2
7'	7.48	7.24	6.50	5.54	4.50	3.53	2.73	2.11	1.69	1.48	23.9	24.0	23.9	23.5	18.1	18.5	18.5	18.5	18.2
8'	5.58	5.43	4.99	4.37	3.69	3.04	2.47	1.98	1.64	1.47	19.2	19.2	19.2	18.8	14.6	14.8	14.9	14.9	14.6
9'	4.34	4.26	3.98	3.57	3.10	2.63	2.22	1.85	1.58	1.44	15.9	15.9	15.9	15.5	12.1	12.3	12.4	12.3	12.1

*Biax is a registered trademark of the General Electric Co.

Compatibility

Liteline track fixtures are compatible with JUNO®, HALO® and most brands configured to Halo®, (Emerald, Hampton Bay) track system design.



JUNO® STYLE

LITELINE STYLE

HALO® STYLE

Halo® is a registered trademark of Cooper Lighting

Juno® is a registered trademark of Juno Lighting

Listings



LITELINE CORPORATION

8 Abacus Road, Brampton, Ontario, Canada L6T 5B7
 Tel: 416-996-1856 • Fax: 905-794-1990 / 1-888-738-9736
 E-mail: sales@liteline.com • Website: www.liteline.com

Product specifications subject to change without notice.