



FLUOROTRACK
Fluorescent Fixture
Track Head

BA0218



PROJECT	Canadalite.com
FIXTURE TYPE	
MODEL	
LAMP	
CONTACT/TELEPHONE	1(888)887-7038

Specifications

Description

Extruded aluminum 12.25" compact fluorescent track fixture incorporating a dual biax lamp source. Integral electronic ballast provides efficient and quiet power for biax lamps. Heavy duty yoke allows full vertical and lateral adjustment on the fixture. Dual tightening knobs assure secure lock on vertical angle position.

Lamps

2 - Biax* 18W high-efficient and long life compact fluorescent lamps per fixture for 120V AC 60Hz application.
Lamps sold separately.

Housing

Single piece cast aluminum with end caps welded in place. No exposed fasteners. Textured powder coat paint finish. Heavy duty aiming bracket.

Electrical

Energy efficient, lightweight HPF electronic ballasts with low harmonic distortion THD of 1.78% and end of lamp life protection circuit. Sound rated A.

Engineering Data

	•Electronic
	120V-HPF
	•18W
Total Input Power	38.62
Operating Amps	0.319
Power Factor	0.999
T.H.D.	1.78%
Min. Starting Temp.	-20°C
Crest Factor	1.5
Ballast Factor	0.74

Reflector and Louver

High efficiency specular reflector provides maximum lamp performance. Parabolic injection-molded specular louver for high efficiency and excellent lamp shielding. Louver may be removed without tools for convenient relamping. Non combustible. *Louver sold separately.*

Listings



LITELINE CORPORATION

8 Abacus Road, Brampton, Ontario, Canada L6T 5B7
Tel: 416-996-1856 • Fax: 905-794-1990 / 1-888-738-9736
E-mail: sales@liteline.com • Website: www.liteline.com

Dimensions & Ordering Guide

Model

BA0218-BK-PL
BA0218-WH-PL
BA0218-BN-PL

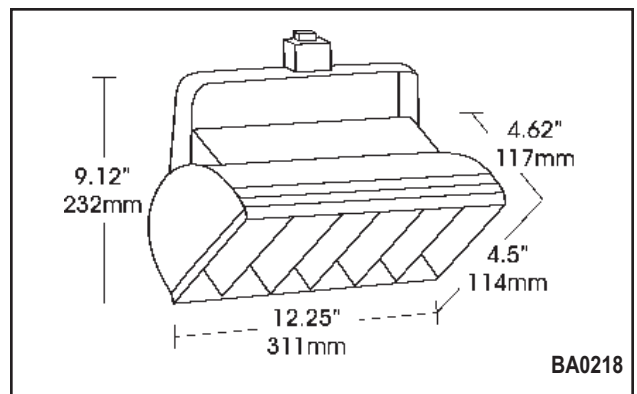
Colour

Black
White
Brushed Nickel

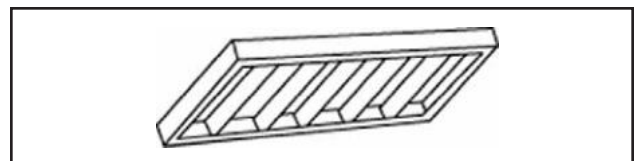
PL0218-SS

(Sold Separately)

12.25" Specular Silver
Parabolic Louver



All dimensions are in inches / millimeters



Louver sold separately.

Socket

4-pin socket to accept 2G11 base biax compact fluorescent light sources. Two per fixture placed on outside edges of fixture facing in for even, shadow free illumination.

Mounting

Single point mounting. Integral track mounting adapter(s). Can be adapted for different types of track.

Note: *Electronic Ballast has a five year warranty.

**BiAx is a registered trademark of the General Electric Co.*

Product specifications subject to change without notice.

FLUOROTRACK – BA0218

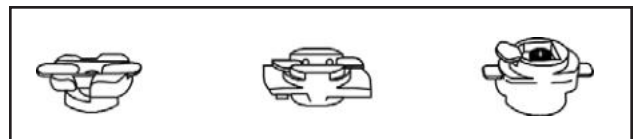
BA0218	Distance from Ceiling	Single Fixture Performance						Multiple Fixture Performance					
		0	1'	2'	3'	4'	5'	← 2' →			← 3' →		
TRACK 2' FROM WALL	0	Illuminance - Footcandles						← 2' →			← 3' →		
← 2' →	1'	88	47	11	1	0	0	110	96	110	90	52	90
60°	2'	59	40	17	6	2	0	97	92	97	71	56	71
	3'	33	26	15	7	3	1	69	68	69	47	44	47
	4'	17	15	10	6	3	2	45	46	45	31	28	31
	5'	10	10	7	5	3	2	32	34	32	22	20	22
	6'	5	5	4	3	2	2	19	20	19	13	14	13
Two 18W Biax*	7'	3	3	3	2	2	1	15	12	15	9	10	9
Lamps 2,500	8'	2	2	2	2	2	1	12	10	12	8	6	8
Total Lumens	9'	2	2	1	1	1	1	8	8	8	6	6	6

BA0218	Distance from Ceiling	Single Fixture Performance						Multiple Fixture Performance					
		0	1'	2'	3'	4'	5'	← 2' →			← 3' →		
TRACK 3' FROM WALL	0	Illuminance - Footcandles						← 2' →			← 3' →		
← 3' →	1'	49	40	22	10	3	1	69	66	69	55	44	55
45°	2'	39	33	20	11	5	2	63	62	63	49	42	49
	3'	27	24	17	10	6	3	49	50	49	39	36	39
	4'	18	16	12	8	5	3	38	38	38	28	28	28
	5'	11	10	8	6	4	3	27	26	27	19	20	19
	6'	6	6	5	4	3	2	18	18	18	12	14	12
Two 18W Biax*	7'	4	4	4	3	3	2	12	12	12	2	2	2
Lamps 2,500	8'	3	3	3	2	2	1	9	10	9	7	8	7
Total Lumens	9'	2	2	2	2	1	1	8	6	8	4	6	4

*Biax is a registered trademark of the General Electric Co.

Compatibility

Liteline track fixtures are compatible with JUNO®, HALO® and most brands configured to Halo®, (Emerald, Hampton Bay) track system design.



JUNO® STYLE

LITELINE STYLE

HALO® STYLE

Halo® is a registered trademark of Cooper Lighting

Juno® is a registered trademark of Juno Lighting

Listings



LITELINE CORPORATION

8 Abacus Road, Brampton, Ontario, Canada L6T 5B7
Tel: 416-996-1856 • Fax: 905-794-1990 / 1-888-738-9736
E-mail: sales@liteline.com • Website: www.liteline.com

Product specifications subject to change without notice.