



# PAR221/30

ATHENA Line Voltage Track Fixture for PAR30 Lamps  
Track Systems

Job Information		
Project Name		Type
Location	Canadalite.com	
Quantity		Date
Contact/Phone	1(888)887-7038	
Notes		

## Features

### Body

Constructed of die cast aluminum which provides superior strength and rigidity. Softened edges adds up to the low profile aesthetic design.

### Lamping

Porcelain socket for 120V PAR30 lamps, 75 watts max. A high temperature glass shield is included, mounted to front of lamp fixture.

### Adjustability

Fixture provides vertical rotation of 90° and horizontal rotation of 330°; providing a wide range of light source aiming possibilities.

### Dimming

The track fixture is dimmable when used with electronic line voltage rated dimming controls only. 120V / 60Hz input; 120V output; 75W maximum load.

### Compatibility

Liteline track fixtures are compatible with Juno®, Halo®, Lightolier® and most brands configured to Halo® track system design.

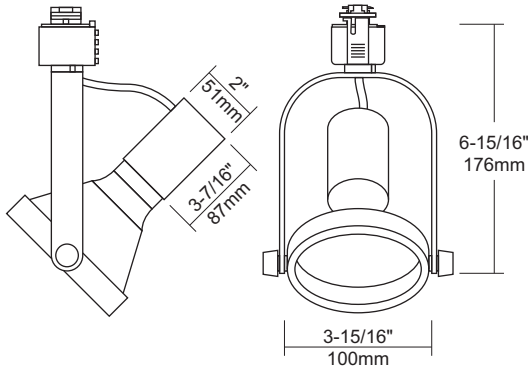
### Labels

- cULus listed.

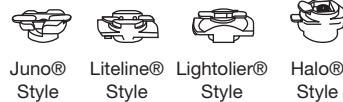


## Description

The ATHENA is an adjustable, lightweight, high-styled, exposed lamp design, line voltage track lighting fixture. ATHENA provides a rear load lamping and allows for directional light source for special aiming and assures secure lock on angle position.



### Connector Compatibility Chart



**Notes:** Accessories should be ordered separately. For additional options please consult your Liteline representative. Juno is a registered trademark of Juno Lighting Group. Halo is a registered trademark of Cooper Lighting. Lightolier is a registered trademark of Philips. Due to our continued efforts to improve our products, product specifications are subject to change without notice.

## Ordering Guide



**PAR221/30-BK**  
ATHENA black track fixture, 120V.



**PAR221/30-BN**  
ATHENA brushed nickel track fixture, 120V.



**PAR221/30-WH**  
ATHENA white track fixture, 120V.

