



METAL HALIDE Fixture Heads

HID0300



PROJECT **Canadalite.com**

FIXTURE TYPE

MODEL

LAMP **1(888)887-7038**

CONTACT/TELEPHONE

Specifications

Description

Metal Halide Fixture with electronic ballast, without reflector. Utilises 70W or 100W PAR metal halide lamp sources for directional lighting.

Lamp Wattage / Type

- HID0300-70: 70W PAR38 metal halide lamp
- HID0300-100: 100W PAR38 metal halide lamp

Features

- Electronic ballast.
- Simple, aesthetic cylindrical design.
- Heavy duty aiming bracket.
- Deep drawn aluminum construction for high strength and rigidity.

Housing

- Single piece cast aluminum with end caps welded in place.
- No exposed fasteners.
- Textured powder coat paint finish.

Mounting

The fixtures may be mounted to track or to outlet boxes via the monopoint (MP-6109).

Electrical

Compact, lightweight electronic ballasts are utilized for quiet, efficient operation and quick re-strike properties. In addition, electronic ballasts feature end of lamp life shut-off and maintain colour without shifting. Lamp sockets are pulse rated. Available in 70 and 100 watt, 120V, 60Hz models.

Socket

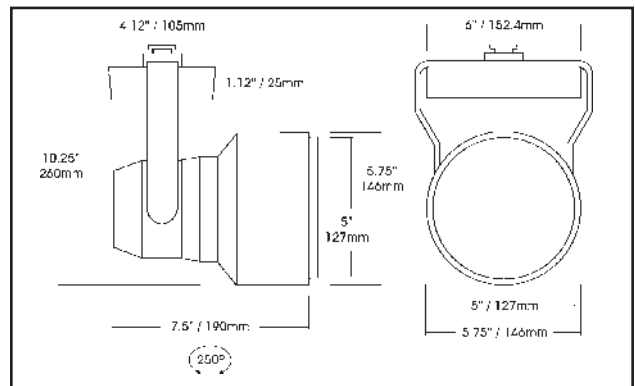
Porcelain jacketed aluminum screw thread medium-base socket.

Finishes

White or Black baked enamel paint.

Dimensions and Ordering Guide

Model	Colour	Watts
HID0300-70-BK	Black	70
HID0300-70-WH	White	70
HID0300-100-BK	Black	100
HID0300-100-WH	White	100



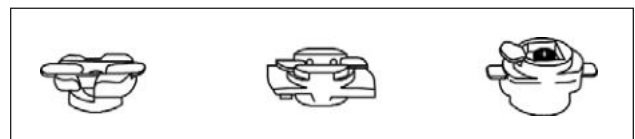
All dimensions are in inches / millimeters

Engineering Data

	•Electronic	
	120V / 60 Hz	
	•70W	•100W
Input Watts	78	113
Operating Amps	0.67	1.00
Harmonic Distortion	< 10%	< 10%

Compatibility

Liteline track fixtures are compatible with JUNO®, HALO® and most brands configured to Halo®, (Emerald, Hampton Bay) track system design.



JUNO® STYLE

LITELINE STYLE

HALO® STYLE

Halo® is a registered trademark of Cooper Lighting

Juno® is a registered trademark of Juno Lighting

Accessories

See Track accessories in our Catalogue.

Listings



LITELINE CORPORATION


8 Abacus Road, Brampton, Ontario, Canada L6T 5B7
Tel: 416-996-1856 • Fax: 905-794-1990 / 1-888-738-9736
E-mail: sales@liteline.com • Website: www.liteline.com

Product specifications subject to change without notice.



METAL HALIDE – HID0300

CBCP - centre beam candlepower
FC - Footcandles at beam centre (aim point)

Lamp	Beam Type	Beam Spread°	Rated Life	CBCP	0°		30°			30°			45°				60°								
					MH	FC	L	W	FC	L	W	D	FC	X	L	W	FC	X	L	W	D	FC	X	L	W
	SP	15°	7500	28000	10	280	2.6	2.6	182	3.5	3.0	4	219	6.9	4.4	2.1	619	4.0	2.1	1.5	4	1137	2.3	1.4	1.2
					12	194	3.2	3.2	126	4.2	3.6	5	140	8.7	5.5	2.6	396	5.0	2.6	1.9	5	728	2.9	1.8	1.5
					14	143	3.7	3.7	93	4.9	4.3	6	97	10.4	6.7	3.2	275	6.0	3.2	2.2	6	505	3.5	2.1	1.8
					16	109	4.2	4.2	71	5.6	4.9	7	72	12.1	7.8	3.7	202	7.0	3.7	2.6	7	371	4.0	2.5	2.1
					18	86	4.7	4.7	56	6.4	5.5	8	55	13.9	8.9	4.2	155	8.0	4.3	3.0	8	284	4.6	2.8	2.4
	FL	30°	7500	16000	10	160	5.4	5.4	104	7.3	6.2	4	125	6.9	10.9	4.3	354	4.0	4.6	3.0	4	650	2.3	2.9	2.5
					12	111	6.4	6.4	72	8.8	7.4	5	80	8.7	13.6	5.4	226	5.0	5.8	3.8	5	416	2.9	3.7	3.1
					14	82	7.5	7.5	53	10.2	8.7	6	56	10.4	16.4	6.4	157	6.0	6.9	4.5	6	289	3.5	4.4	3.7
					16	63	8.6	8.6	41	11.7	9.9	7	41	12.1	19.1	7.5	115	7.0	8.1	5.3	7	212	4.0	5.1	4.3
					18	49	9.6	9.6	32	13.2	11.1	8	31	13.9	21.8	8.6	88	8.0	9.2	6.1	8	162	4.6	5.9	5.0

Note: Multiplier: 100W PAR38 - 1.4

The beam spread in degrees and the beam “L” and “W” in the following tables are computed at 50% of centre beam candlepower and represent areas of “effective illumination”.

Listings



LITELINE CORPORATION

8 Abacus Road, Brampton, Ontario, Canada L6T 5B7
 Tel: 416-996-1856 • Fax: 905-794-1990 / 1-888-738-9736
 E-mail: sales@liteline.com • Website: www.liteline.com

Product specifications subject to change without notice.