



## METAL HALIDE Fixture Heads

HID0738



PROJECT **Canadalite.com**

FIXTURE TYPE

MODEL

LAMP

CONTACT/TELEPHONE 1(888)887-7038

### Specifications

#### Description

Metal Halide Fixture with electronic ballast without reflector. For use with 100W metal halide lamp.

#### Lamps Wattage / Type

- 100W PAR38 metal halide lamp

#### Housing

Single piece cast aluminum with end caps welded in place. No exposed fasteners. Textured powder coat paint finish. Heavy duty aiming bracket.

#### Mounting

The fixtures may be mounted to track or to outlet boxes via the monopoint (MP-6109).

#### Electrical

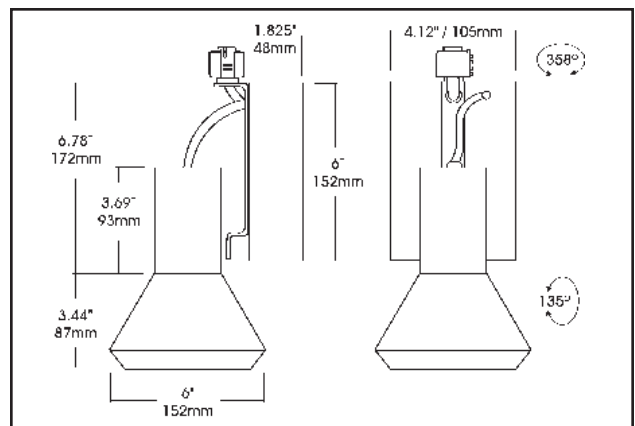
Compact, lightweight electronic ballasts are utilized for quiet, efficient operation and quick re-strike properties. In addition, electronic ballasts feature end of lamp life shut-off and maintain colour without shifting. Lamp sockets are pulse rated. Available in 100 watt, 120V 60Hz model.

#### Engineering Data

	•Electronic
	<b>120V / 60 Hz</b>
	•100W
Input Watts	113
Operating Amps	1.0
Harmonic Distortion	< 10%

### Dimensions and Ordering Guide

Model	Colour	Watts
HID0738-100-BK	Black	100
HID0738-100-WH	White	100



All dimensions are in inches / millimeters

#### Compatibility

Liteline track fixtures are compatible with JUNO®, HALO® and most brands configured to Halo®, (Emerald, Hampton Bay) track system design.



Halo® is a registered trademark of Cooper Lighting

Juno® is a registered trademark of Juno Lighting

#### Accessories

See Track accessories in our Catalogue.

#### Listings



#### LITELINE CORPORATION

8 Abacus Road, Brampton, Ontario, Canada L6T 5B7  
Tel: 416-996-1856 • Fax: 905-794-1990 / 1-888-738-9736  
E-mail: sales@liteline.com • Website: www.liteline.com

Product specifications subject to change without notice.



**METAL HALIDE – HID0738**

Lamp	LET	Watts	MOL	Description	Approx. CBCP	Rated	Lumens		Colour	CRI
						Avg. Life Hours	Initial	Mean	Temp. K	
PAR38 Medium Base	O	100	5.31	PAR38/100W/S15	45000	10000	6500	N/A	3000	>80
				PAR38/100W/F25	15000	10000	6500	N/A	3000	>80
				PAR38/100W/W		10000	6500	N/A	3000	>80

**HEADINGS**

**DESCRIPTION**

- LET:** Lamp Enclosure Type
- MOL:** Maximum Overall Length in inches
- CBCP:** Approximate CBCP (Centre Beam Candlepower)
- Description:**
  - PAR38 - Identifies lamp
  - 100W - Identifies wattage
  - F25 - Identifies operating angle
- Rate Avg. Life Hours:** Lamp burning hours to median expectancy
- Lumens - Initial:** Initial light output
- Lumens - Mean:** Lamp light output (lumens) at 40% of rated lamp life for Metal Halide Lamps.
- Colour Temp. Kelvins (K):** A measure of the visual “warmth” or “coolness” of the light from the lamp. The higher the value the whiter or “cooler” the light appears.
- CRI:** Colour Rendering Index (CRI or R<sub>a</sub>): An indication of the ability of the lamp to render object colours in a normal, natural way. The higher the number (0-100), the better the colour appearance.

Listings



**LITELINE CORPORATION**  
 8 Abacus Road, Brampton, Ontario, Canada L6T 5B7  
 Tel: 416-996-1856 • Fax: 905-794-1990 / 1-888-738-9736  
 E-mail: sales@liteline.com • Website: www.liteline.com

**Product specifications subject to change without notice.**