



FLUOROTRACK
Fluorescent Fixture
Track Head

BA0240



PROJECT	Canadalite.com
FIXTURE TYPE	
MODEL	
LAMP	
CONTACT/TELEPHONE	1(888)887-7038

Specifications

Description

Extruded aluminum 24.5" compact fluorescent track fixture incorporating a dual biax lamp source. Integral electronic ballast provides efficient and quiet power for biax lamps. Heavy duty yoke allows full vertical and lateral adjustment on the fixture. Dual tightening knobs assure secure lock on vertical angle position. Specular louver included.

Lamps

2 - Biax* 40W high-efficient and long life compact fluorescent lamps per fixture for 120V 60Hz application.
Lamps sold separately.

Housing

Single piece cast aluminum with end caps welded in place. No exposed fasteners. Textured powder coat paint finish. Heavy duty aiming bracket.

Electrical

Energy efficient, lightweight HPF electronic ballasts with low harmonic distortion THD of 1.5% and end of lamp life protection circuit. Sound rated A.

Engineering Data

Ballast	• Electronic
Ballast	120V-HPF
Wattage	2 • 40W
Total Input Power	89
Operating Amps	0.74
Power Factor	0.999
T.H.D.	1.5%
Min. Starting Temp.	-20°C
Crest Factor	1.5
Ballast Factor	0.93

Reflector and Louver

High efficiency specular reflector provides maximum lamp performance. Parabolic injection-molded specular louver for high efficiency and excellent lamp shielding. Louver may be removed without tools for convenient relamping. Non combustible.

Listings



LITELINE CORPORATION

8 Abacus Road, Brampton, Ontario, Canada L6T 5B7
Tel: 416-996-1856 • Fax: 905-794-1990 / 1-888-738-9736
E-mail: sales@liteline.com • Website: www.liteline.com

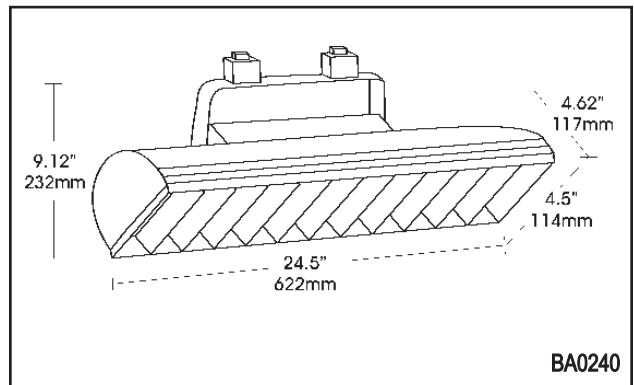
Dimensions & Ordering Guide

Model

BA0240-BK-PL
BA0240-WH-PL
BA0240-BN-PL

Colour

Black
White
Brushed Nickel



All dimensions are in inches / millimeters

Socket

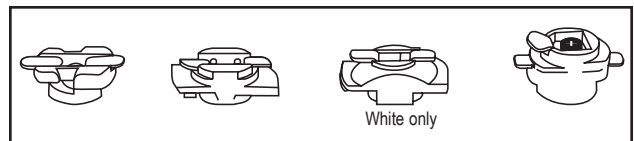
4-pin socket to accept 2G11 base biax compact fluorescent light sources. Two per fixture placed on outside edges of fixture facing in for even, shadow free illumination.

Mounting

Dual point mounting. Integral track mounting adapter(s). Can be adapted for different types of track.

Compatibility

Liteline track fixtures are compatible with JUNO®, HALO®, Lightolier® and most brands configured to Halo®, (Emerald, Hampton Bay) track system design.



*Halo® is a registered trademark of Cooper Lighting
Juno® is a registered trademark of Juno Lighting
Lightolier® is a registered trademark of Philips*

**Biax is a registered trademark of the General Electric Co.*

Product specifications subject to change without notice.



FLUOROTRACK – BA0240

BA0240		Single Fixture Performance						Multiple Fixture Performance					
Distance from Ceiling		0	1'	2'	3'	4'	5'	← 2' →			← 3' →		
TRACK 3' FROM WALL		Illuminance - Footcandles											
<p>Two 40W Biax* Lamps 6,300 Total Lumens</p>	1'	130	105	56	24	9	2	180	174	180	148	114	148
	2'	101	85	51	27	13	6	159	154	159	127	106	127
	3'	72	64	44	27	15	8	134	130	134	102	96	102
	4'	46	41	31	21	13	8	98	96	98	72	72	72
	5'	27	26	21	16	11	7	69	68	69	49	52	49
	6'	15	15	12	10	7	5	43	42	43	29	32	29
	7'	10	10	8	7	5	4	30	30	30	20	22	20
	8'	7	6	6	5	4	3	23	20	23	15	16	15
	9'	5	5	5	4	4	3	17	16	17	30	14	30

BA0240		Single Fixture Performance						Multiple Fixture Performance					
Distance from Ceiling		0	1'	2'	3'	4'	5'	← 2' →			← 3' →		
TRACK 4' FROM WALL		Illuminance - Footcandles											
<p>Two 40W Biax* Lamps 6,300 Total Lumens</p>	1'	73	66	45	27	14	6	131	132	131	101	94	101
	2'	63	57	41	26	16	9	123	122	123	95	90	95
	3'	54	49	38	25	16	10	116	114	116	86	88	86
	4'	41	38	31	23	16	10	101	96	101	73	76	73
	5'	29	28	23	18	13	9	77	74	77	55	58	55
	6'	18	18	16	13	11	8	56	54	56	40	44	40
	7'	12	12	11	9	8	6	38	36	38	28	30	28
	8'	8	8	8	7	6	5	30	28	30	20	24	20
	9'	6	6	6	5	4	3	22	20	22	14	18	14

*Biax is a registered trademark of the General Electric Co.

Listings



LITELINE CORPORATION

8 Abacus Road, Brampton, Ontario, Canada L6T 5B7
 Tel: 416-996-1856 • Fax: 905-794-1990 / 1-888-738-9736
 E-mail: sales@liteline.com • Website: www.liteline.com

Product specifications subject to change without notice.