



FLUOROTRACK
Fluorescent Fixture
Track Head

BA0236



PROJECT	Canadalite.com
FIXTURE TYPE	
MODEL	
LAMP	
CONTACT/TELEPHONE	1(888)887-7038

Specifications

Description

Extruded aluminum 18" compact fluorescent track fixture incorporating a dual biax lamp source. Integral electronic ballast provides efficient and quiet power for biax lamps. Heavy duty yoke allows full vertical and lateral adjustment on the fixture. Dual tightening knobs assure secure lock on vertical angle position. Specular louver included.

Lamps

2 - Biax* 36W high-efficient and long life compact fluorescent lamps per fixture for 120V 60Hz application.
Lamps sold separately.

Housing

Single piece cast aluminum with end caps welded in place. No exposed fasteners. Textured powder coat paint finish. Heavy duty aiming bracket.

Electrical

Energy efficient, lightweight HPF electronic ballasts with low harmonic distortion THD of 1.5% and end of lamp life protection circuit. Sound rated A.

Engineering Data

Ballast	• Electronic 120V-HPF
Wattage	2 • 36W
Total Input Power	95
Operating Amps	0.79
Power Factor	0.999
T.H.D.	1.2%
Min. Starting Temp.	-20°C
Crest Factor	1.5
Ballast Factor	0.85

Reflector and Louver

High efficiency specular reflector provides maximum lamp performance. Parabolic injection-molded specular louver for high efficiency and excellent lamp shielding. Louver may be removed without tools for convenient relamping. Non combustible.

Listings



LITELINE CORPORATION

8 Abacus Road, Brampton, Ontario, Canada L6T 5B7
Tel: 416-996-1856 • Fax: 905-794-1990 / 1-888-738-9736
E-mail: sales@liteline.com • Website: www.liteline.com

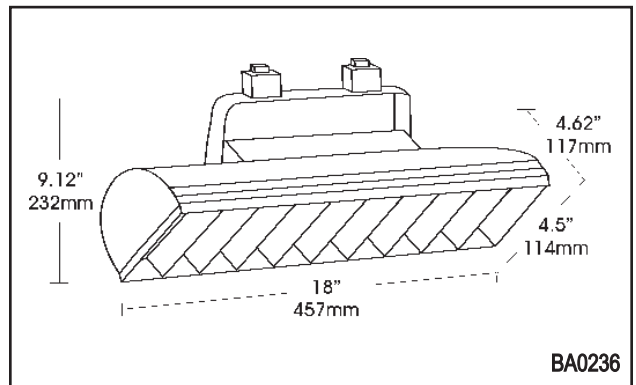
Dimensions & Ordering Guide

Model

BA0236-BK-PL
BA0236-WH-PL
BA0236-BN-PL

Colour

Black
White
Brushed Nickel



All dimensions are in inches / millimeters

Socket

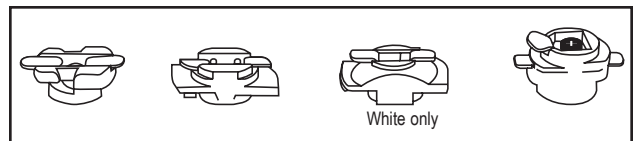
4-pin socket to accept 2G11 base biax compact fluorescent light sources. Two per fixture placed on outside edges of fixture facing in for even, shadow free illumination.

Mounting

Dual point mounting. Integral track mounting adapter(s). Can be adapted for different types of track.

Compatibility

Liteline track fixtures are compatible with JUNO®, HALO®, Lightolier® and most brands configured to Halo®, (Emerald, Hampton Bay) track system design.



Halo® is a registered trademark of Cooper Lighting
Juno® is a registered trademark of Juno Lighting
Lightolier® is a registered trademark of Philips

**Biax is a registered trademark of the General Electric Co.*

Product specifications subject to change without notice.



FLUOROTRACK – BA0236

BA0236		Single Fixture Performance						Multiple Fixture Performance					
Distance from Ceiling		0	1'	2'	3'	4'	5'	← 2' →			← 3' →		
TRACK 3' FROM WALL		Illuminance - Footcandles											
	1'	108	89	49	22	9	3	154	150	154	126	100	126
	2'	81	70	44	23	12	5	131	132	131	105	92	105
	3'	62	55	38	23	13	7	116	114	116	88	84	88
	4'	40	36	28	19	12	7	86	84	86	64	64	64
	5'	25	24	20	15	10	7	63	62	63	45	48	45
	6'	14	13	12	10	8	6	42	40	42	30	32	30
	7'	9	9	8	7	6	4	29	28	29	21	22	21
	8'	7	7	6	5	5	4	23	22	23	17	18	17
	9'	4	4	4	3	3	2	14	14	14	10	12	10
Two 36W Biax* Lamps 5,800													
Total Lumens													

BA0236		Single Fixture Performance						Multiple Fixture Performance					
Distance from Ceiling		0	1'	2'	3'	4'	5'	← 2' →			← 3' →		
TRACK 4' FROM WALL		Illuminance - Footcandles											
	1'	67	59	40	23	12	6	119	118	119	91	86	91
	2'	52	47	34	22	13	8	104	104	104	78	76	78
	3'	48	44	33	23	14	9	102	102	102	76	76	76
	4'	35	33	26	19	13	9	85	82	85	61	64	61
	5'	25	24	20	16	12	8	67	66	67	49	50	49
	6'	16	16	13	11	9	7	48	46	48	34	36	34
	7'	10	10	9	8	7	5	34	32	34	24	26	24
	8'	7	7	7	6	5	5	27	24	27	17	22	17
	9'	6	5	5	5	4	3	22	18	22	14	16	14
Two 36W Biax* Lamps 2,500													
Total Lumens													

*Biax is a registered trademark of the General Electric Co.

Listings



LITELINE CORPORATION
 8 Abacus Road, Brampton, Ontario, Canada L6T 5B7
 Tel: 416-996-1856 • Fax: 905-794-1990 / 1-888-738-9736
 E-mail: sales@liteline.com • Website: www.liteline.com

Product specifications subject to change without notice.