



FLUOROTRACK
Fluorescent Fixture
Track Head

BA0218



PROJECT	Canadalite.com
FIXTURE TYPE	
MODEL	
LAMP	
CONTACT/TELEPHONE	1(888)887-7038

Specifications

Description

Extruded aluminum 12.25" compact fluorescent track fixture incorporating a dual biax lamp source. Integral electronic ballast provides efficient and quiet power for biax lamps. Heavy duty yoke allows full vertical and lateral adjustment on the fixture. Dual tightening knobs assure secure lock on vertical angle position. Specular louver included.

Lamps

2 - Biax* 18W high-efficient and long life compact fluorescent lamps per fixture for 120V AC 60Hz application.
Lamps sold separately.

Housing

Single piece cast aluminum with end caps welded in place. No exposed fasteners. Textured powder coat paint finish. Heavy duty aiming bracket.

Electrical

Energy efficient, lightweight HPF electronic ballasts with low harmonic distortion THD of 1.78% and end of lamp life protection circuit. Sound rated A.

Engineering Data

Ballast	• Electronic 120V-HPF
Wattage	2 • 18W
Total Input Power	38.62
Operating Amps	0.319
Power Factor	0.999
T.H.D.	1.78%
Min. Starting Temp.	-20°C
Crest Factor	1.5
Ballast Factor	0.74

Reflector and Louver

High efficiency specular reflector provides maximum lamp performance. Parabolic injection-molded specular louver for high efficiency and excellent lamp shielding. Louver may be removed without tools for convenient relamping. Non combustible.

Listings



LITELINE CORPORATION

8 Abacus Road, Brampton, Ontario, Canada L6T 5B7
Tel: 416-996-1856 • Fax: 905-794-1990 / 1-888-738-9736
E-mail: sales@liteline.com • Website: www.liteline.com

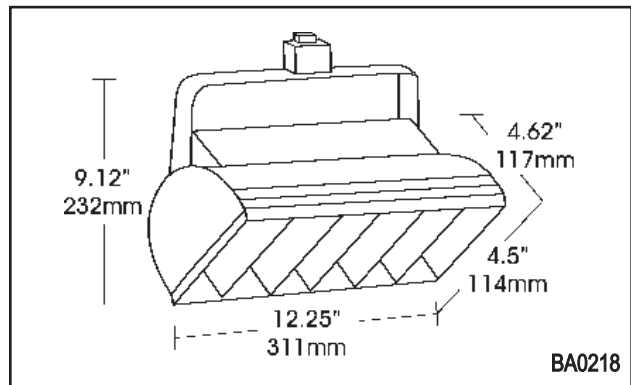
Dimensions & Ordering Guide

Model

BA0218-BK-PL
BA0218-WH-PL
BA0218-BN-PL

Colour

Black
White
Brushed Nickel



All dimensions are in inches / millimeters

Socket

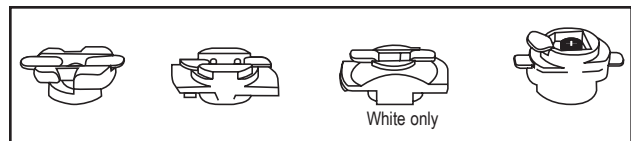
4-pin socket to accept 2G11 base biax compact fluorescent light sources. Two per fixture placed on outside edges of fixture facing in for even, shadow free illumination.

Mounting

Single point mounting. Integral track mounting adapter(s). Can be adapted for different types of track.

Compatibility

Liteline track fixtures are compatible with JUNO®, HALO®, Lightolier® and most brands configured to Halo®, (Emerald, Hampton Bay) track system design.



JUNO® STYLE LITELINE® STYLE LIGHTOLIER® STYLE HALO® STYLE

Halo® is a registered trademark of Cooper Lighting

Juno® is a registered trademark of Juno Lighting

Lightolier® is a registered trademark of Philips

**Biax is a registered trademark of the General Electric Co.*

Product specifications subject to change without notice.



FLUOROTRACK – BA0218

BA0218		Single Fixture Performance						Multiple Fixture Performance						
TRACK 2' FROM WALL		Distance from Ceiling	0	1'	2'	3'	4'	5'	← 2' →			← 3' →		
<p>60°</p> <p>Two 18W Biax* Lamps 2,500 Total Lumens</p>		□	Illuminance - Footcandles						□		□	□		□
		1'	88	47	11	1	0	0	110	96	110	90	52	90
		2'	59	40	17	6	2	0	97	92	97	71	56	71
		3'	33	26	15	7	3	1	69	68	69	47	44	47
		4'	17	15	10	6	3	2	45	46	45	31	28	31
		5'	10	10	7	5	3	2	32	34	32	22	20	22
		6'	5	5	4	3	2	2	19	20	19	13	14	13
		7'	3	3	3	2	2	1	15	12	15	9	10	9
		8'	2	2	2	2	2	1	12	10	12	8	6	8
		9'	2	2	1	1	1	1	8	8	8	6	6	6

BA0218		Single Fixture Performance						Multiple Fixture Performance						
TRACK 3' FROM WALL		Distance from Ceiling	0	1'	2'	3'	4'	5'	← 2' →			← 3' →		
<p>45°</p> <p>Two 18W Biax* Lamps 2,500 Total Lumens</p>		□	Illuminance - Footcandles						□		□	□		□
		1'	49	40	22	10	3	1	69	66	69	55	44	55
		2'	39	33	20	11	5	2	63	62	63	49	42	49
		3'	27	24	17	10	6	3	49	50	49	39	36	39
		4'	18	16	12	8	5	3	38	38	38	28	28	28
		5'	11	10	8	6	4	3	27	26	27	19	20	19
		6'	6	6	5	4	3	2	18	18	18	12	14	12
		7'	4	4	4	3	3	2	12	12	12	2	2	2
		8'	3	3	3	2	2	1	9	10	9	7	8	7
		9'	2	2	2	2	1	1	8	6	8	4	6	4

*Biax is a registered trademark of the General Electric Co.

Listings



LITELINE CORPORATION

8 Abacus Road, Brampton, Ontario, Canada L6T 5B7
 Tel: 416-996-1856 • Fax: 905-794-1990 / 1-888-738-9736
 E-mail: sales@liteline.com • Website: www.liteline.com

Product specifications subject to change without notice.