



## 4" ROUND TRIM FOR LED HOUSINGS RECESSED LIGHTING

RTML-224R

### Specifications

#### Description

The RTML-224R is a 4" round trim for use with 4" LED housings. It includes a lens to provide an airtight architecture, making it suitable for wet locations.

#### Reflector

- Precision spun aluminum.
- Multi-faceted top reflector to enhance light distribution.
- Top reflector available in two beam spreads: Narrow (25°) and Wide (45°).
- Lower reflector available in three colours: White (WH), Clear (CL) and Haze Clear (HC).

#### Trim Ring

- Precision spun painted steel.
- Available in two colours: White Metal (WH) and Brushed Nickel (BN).



Project Name :

Project Type :

Location :

Quantity :

Contact/Phone :

Comments :

### Ordering Guide

#### Item No.

RTML-224RN-WH-WH

#### Description

White reflector with White metal trim ring, narrow beam spread

RTML-224RN-WH-BN

White reflector with Brushed Nickel trim ring, narrow beam spread

RTML-224RW-WH-WH

White reflector with White metal trim ring, wide beam spread

RTML-224RW-WH-BN

White reflector with Brushed Nickel trim ring, wide beam spread

RTML-224RN-CL-WH

Clear reflector with White metal trim ring, narrow beam spread

RTML-224RN-CL-BN

Clear reflector with Brushed Nickel trim ring, narrow beam spread

RTML-224RW-CL-WH

Clear reflector with White metal trim ring, wide beam spread

RTML-224RW-CL-BN

Clear reflector with Brushed Nickel trim ring, wide beam spread

RTML-224RN-HC-WH

Haze clear reflector with White metal trim ring, narrow beam spread

RTML-224RN-HC-BN

Haze clear reflector with Brushed Nickel trim ring, narrow beam spread

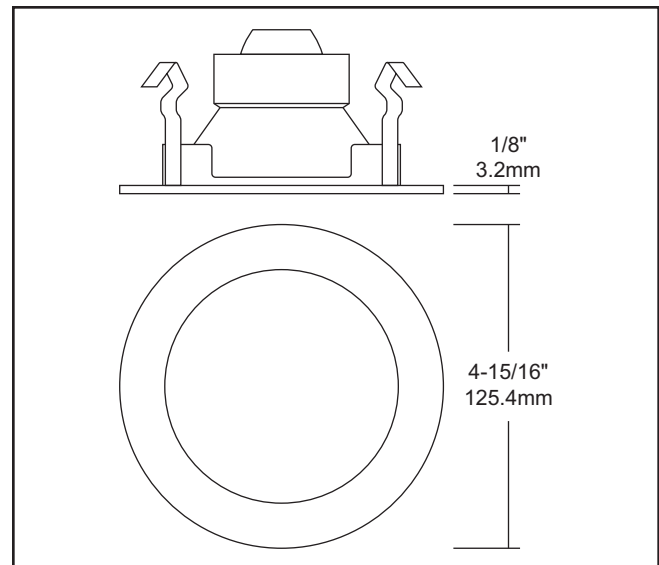
RTML-224RW-HC-WH

Haze clear reflector with White metal trim ring, wide beam spread

RTML-224RW-HC-BN

Haze clear reflector with Brushed Nickel trim ring, wide beam spread

### Dimensions



Liteline Corporation

8 Abacus Road, Brampton, Ontario, Canada L6T 5B7

Phone Main: 416-996-1856 • Toll Free: 1-866-730-770

Local Customer Service: 905-794-2137

Fax Main: 905-794-1990 • Toll Free: 1-888-738-9736

E-mail Information: info@liteline.com • Sales: sales@liteline.com

Web Website: www.liteline.com

Product specifications subject to change without notice.

© Copyright 2011 Liteline Corporation.

REV052-3.30.11