

LED-TP10-BK

LED In-line Driver
Cabinet, Cove & Display

| Job Information | | |
|-----------------|--|------|
| Project Name | | Type |
| Location | | |
| Quantity | | Date |
| Contact/Phone | | |
| Notes | | |

Features

Electrical Performance

This in-line driver provides a maximum power of 12 watts in a low voltage (12V DC) output. Class 2 driver accommodates inputs of 100-240V with input frequency of 50/60Hz. A 6' power cord and a rotary switch are provided with driver. Suitable for indoor applications.

Approvals

cULus Listed.

Compatibility

Compatible with all Liteline® 12 volt LED lighting, including:

- UCP-LED series undercabinet pucks.

Linkage

With a 5 port wiring hub with polarized connectors and 6½' lead, the in-line driver is capable of running up to 5 pucks (1.8W each) from attached port. Maximum distance between pucks is 52".

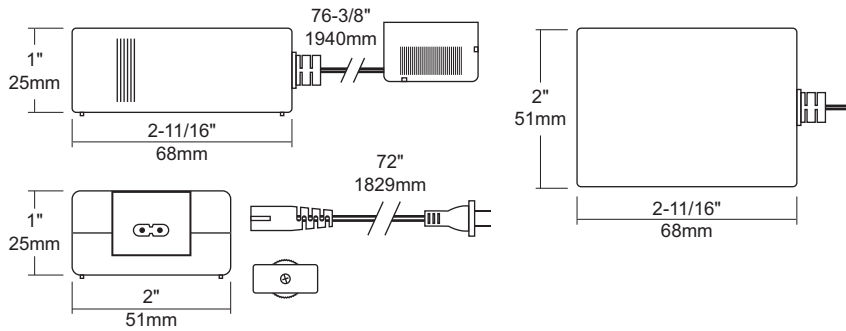
Mounting

Mounting metal harness and screws are included with the driver to allow mounting of driver in undercabinet applications.



Description

The LED-TP10-BK is a 12 watt in-line driver for use with LED puck lights, LED strip and tape for undercabinet and cove lighting requirements.



Notes: Not for use in outdoor applications. Accessories should be ordered separately. For additional options please consult your Liteline representative. Due to our continued efforts to improve our products, product specifications are subject to change without notice.

Ordering Guide



LED-TP10-BK
12W LED in-line driver.