



4" REMODEL LED HOUSING, 10W RECESSED LIGHTING

RF402LED-01-10



Project Name :
Project Type :
Location :
Quantity :
Contact/Phone :
Comments :

SPECIFICATIONS

Features

- For IC / NON-IC applications.
- Airtight.
- Dimmable (consult Liteline for list of compatible dimmers).
- Approved for wet location (when used with RTML-224R trims).

Housing

- Single wall aluminum housing gasketed for IC / Airtight in insulated ceilings.
- Housing can be adjusted for ceiling thickness up to 5/8".

Junction Box

- Listed for through branch circuit wiring (Max. four no. 12 AWG 90°C branch-circuit conductions – 2 in / 2 out).
- Five 1/2" knockouts with true pry-out slots and four knockouts with Romex cable clamp.
- Ground wire provided on J-box.

Remodel Clips

- Three remodel clips secure housing and accommodates 1/2" to 5/8" ceiling materials.

LED Engine

- 100~1% dimmable.
- Heat sink and aluminum board for low heat operation of high powered LED chip.
- Available in 3000K (±200K) and 4000K (±200K) colour temperature.
- Produces 600 lumens output from luminaire, operating by 700mA connect.
- Replaceable (RLED-4-01-10 – sold separately).

LED Power Supply Driver

- Class 2 constant current LED driver, 700mA.
- THD<35%.
- Power factor: 0.9
- For 120V 60Hz (also available in 277V 60Hz with a separate driver).

"Quick Connect" Push-in Terminal

- Three "Quick connects" for fast and easy wiring.

ORDERING GUIDE

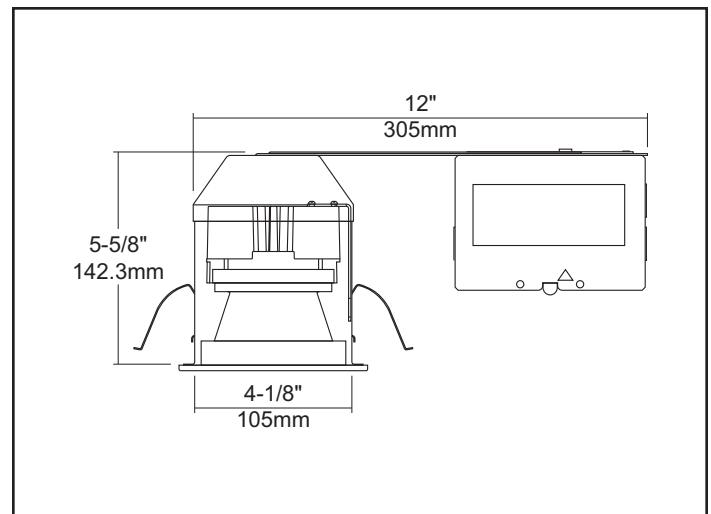
Item No.

RF402LED-01-10-30
RF402LED-01-10-40

Description

4" Remodel / IC, 10W LED housing, 3000K
4" Remodel / IC, 10W LED housing, 4000K

DIMENSIONS



Ceiling cut-out: 4-3/8" (111mm)

Warranty

- Liteline Corporation provides a three year limited warranty.

Listing



Product specifications subject to change without notice.

© Copyright 2011 Liteline Corporation.



LITELINE CORPORATION
info@liteline.com
www.liteline.com

8 Abacus Road
Brampton, Ontario
Canada L6T 5B7

PHONE | TÉLÉPHONE
416-996-1856
1-866-730-7704

FAX | TÉLÉCOPIEUR
905-794-1990
1-888-738-9736

REV052-4.17.12