

P30SLED14W

14.5 Watt PAR30 Short Neck LED Lamp, E26 Base
120V

Job Information		
Project Name	P30SLED14W-30KFL-WH	Type
Location	Canadalite.com	
Quantity		Date
Contact/Phone	1(888)887-7038	
Notes		

Features

Lighting Performance

Constructed with an aluminum heat sink and high powered Citizen® LED, this lamp has a 14.5 watt power consumption that produces up to 850 lumens. The LED lamp is driven by 120V AC input power from medium base socket.

Colour Temperature

Available in 3000K and 4000K correlated colour temperatures. It maintains a colour rendering index of 80+.

Lumen Maintenance

The LED lamp reduces ongoing maintenance costs with a 40,000 hours rated LED life, while maintaining 70% of initial lumen output after 50,000 hours projected life.

Thermal Management System

Durable passive aluminum heat sink is used to manage heat generated by the LED lamp. The heat sink employs an

internal fin design that wraps around the lamp and lowers air friction, which provides for a natural convection of heat into the surrounding environment, while maintaining a smooth outer surface similar with a regular halogen lamp.

Dimming

The LED lamp supports dimmable functionality (see list of compatible dimmers on page 2).

Beam Spread

With a high efficiency, precision engineered lens, the LED lamp is capable of providing 40 degree beam spread; and also 25 degree beam spread.

Operating Temperature

-40°C~40°C (-40°F~104°F)

Environment

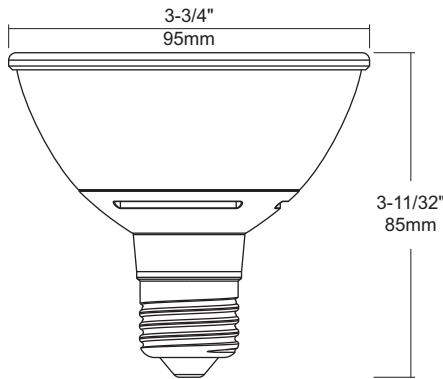
Suitable for damp locations. Not suitable for totally enclosed luminaires.

SPECIFICATION	
Approved Location	Damp
Base	E26
Beam Angle	40° / 25°
CBCP	1332 / 3254
CCT	3000K
Certification	cULus
CRI	80+
Dimming	Yes
Dimming Tech.	TRIAC
Energy Star®	Yes
Lamp Type	PAR30
LM79	Yes
LM80	Yes
Lumens	850 / 850
Lumens per watt	58.6 / 58.6
Max. Operating Temp.	40°C
Min. Start Temp.	-40°C
Projected Lumen Maintenance	70% @ 50,000 hrs
Rated Life	40,000 HRS
Voltage	120V
Warranty	5 Years
Wattage	14.5



Description

This 14.5 watt line voltage LED short neck lamp is UV and IR radiation free, minimizing discoloration and fading of materials. LED technology reduces energy and maintenance costs when compared to conventional light sources. Suitable for both residential and commercial applications, approved for damp locations. Can be used as a replacement to line voltage halogen lamps.



Notes: For additional options please consult your Liteline representative. Due to our continued efforts to improve our products, product specifications are subject to change without notice.

Ordering Guide



P30SLED14W-30KFL-WH*
14.5W Line voltage LED PAR30 flood short neck lamp, 120V, 3000K, 850 lumens, White.



P30SLED14W-40KSP-WH
14.5W Line voltage LED PAR30 spot short neck lamp, 120V, 4000K, 850 lumens, White.



P30SLED14W-40KFL-WH
14.5W Line voltage LED PAR30 flood short neck lamp, 120V, 4000K, 850 lumens, White.



P30SLED14W-30KSP-WH*
14.5W Line voltage LED PAR30 spot short neck lamp, 120V, 3000K, 850 lumens, White.



Compatible Dimmers

Brand	Model	Load	Maximum Number of Lamps per Dimmer
Leviton	6613-P	600W	5
	6633-P	600W	5
	6681	600W	5
	6683	600W	5
	6684	600W	5
	IPI06	600W	5
Kaoyi	KHD-154U	600W	5
Legrand	CD703-PW	700W	6
	CDLV703-PW	700W	6
	DCL453-PTC	450W	4
	DRD4-W	600W	5
	DLV703-PLA	700W	6
Lutron	AY-600P	600W	5
	CN-600P	600W	5
	D-603PH	600W	5
	DV-600PH	600W	5
	DV-603PG	600W	5
	DVCL-153PL	600W	5
	DVELV-300P	300W	2
	GL-600H	600W	5
	LGCL-153PLH	600W	5
	NELV-450	450W	4
	S-600	600W	5
	SELV-300P	300W	2
	TG-600PNLH	600W	5
	TGCL-153PH	600W	5
	TT-300NLH	300W	2