



HID BALLAST

BAL-400W-MH



PROJECT	Canadalite.com
FIXTURE TYPE	
MODEL	
LAMP	
CONTACT/TELEPHONE	1(888)887-7038

Specifications

Description

- 400W Metal Halide ballast
- Heavy duty winding core coated for heat resistance.

Features & Application

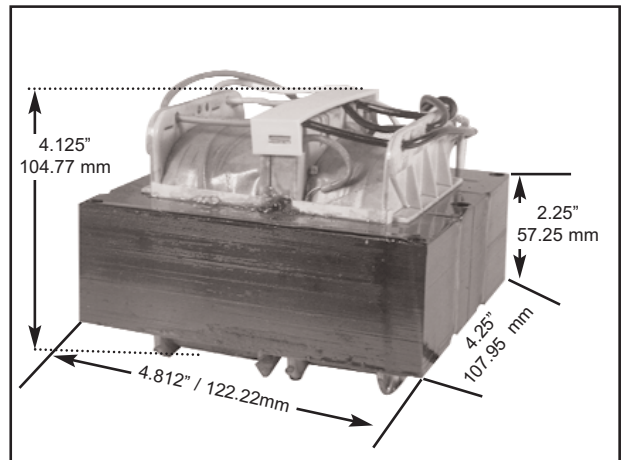
- Tri-tap
- For use in commercial and industrial applications
- Designed to prolong life of bulb and fixture
- Provide additional energy saving capabilities
- Maintain optimum bulb performance
- Cooling method: natural cooling
- Corrosion protection

Electrical

- Input: 120/277/347V 60Hz
- Max. Input Current: 4.0/1.7/1.4A
- 24 MFD 400V Capacitor

Dimensions & Ordering Guide

Model	Description
BAL-400W-MH	400 Watt



Listings



LITELINE CORPORATION

8 Abacus Road, Brampton, Ontario, Canada L6T 5B7
 Tel: 416-996-1856 • Fax: 905-794-1990 / 1-888-738-9736
 E-mail: sales@liteline.com • Website: www.liteline.com

Product specifications subject to change without notice.