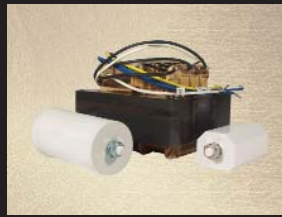




HID BALLAST

BAL-400W-HPS



PROJECT Canadalite.com

FIXTURE TYPE

MODEL

LAMP

CONTACT/TELEPHONE 1(888)887-7038

Specifications

Description

- 400W High Pressure Sodium ballast.
- Heavy duty winding core coated for heat resistance.

Features & Application

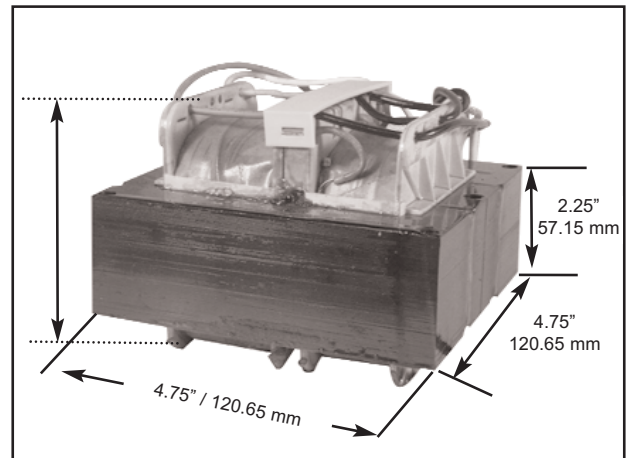
- Tri-tap
- For use in commercial and industrial applications
- Designed to prolong life of bulb and fixture
- Provide additional energy saving capabilities
- Maintain optimum bulb performance
- Cooling method: natural cooling
- Corrosion protection

Electrical

- Input: 120/277/347V
- 60Hz
- Max. Input Current: 4.0/1.7/1.4A
- 55 UFD 400V Capacitor
- IGN-03 ignitor

Dimensions & Ordering Guide

Model	Description
BAL-400W-HPS	400 Watt



Listings



LITELINE CORPORATION

8 Abacus Road, Brampton, Ontario, Canada L6T 5B7
Tel: 416-996-1856 • Fax: 905-794-1990 / 1-888-738-9736
E-mail: sales@liteline.com • Website: www.liteline.com

Product specifications subject to change without notice.