



## CORRUGATED STEEL ROOF BRACKET

HBB1-100



PROJECT	Canadalite.com
FIXTURE TYPE	
MODEL	
LAMP	
CONTACT/TELEPHONE	1(888)887-7038

### Specifications

#### Description

Corrugated steel roof bracket suitable for hi bay, low bay and job site lighting fixtures.

#### Features

- Can be used with all hi bay, low bay and job site lighting.
- Holds up to 100 LBS / 45.36KG.
- Made from hardened carbon steel.
- Easy to install.

#### Applications

- For use in commercial applications.
- Warehouses.

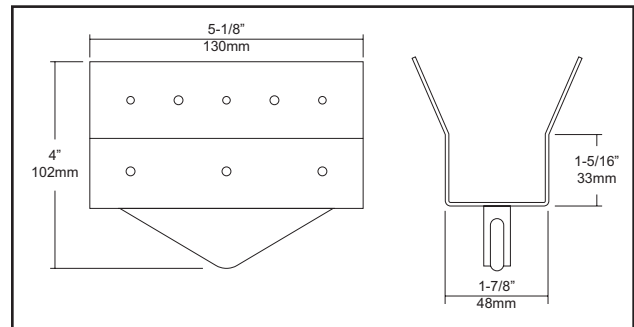
#### Listings



### Dimensions & Ordering Guide

**Model No.**  
HBB1-100

**Description**  
Corrugated steel roof bracket



### LITELINE CORPORATION

8 Abacus Road, Brampton, Ontario, Canada L6T 5B7  
 Tel: 416-996-1856 • Fax: 905-794-1990 / 1-888-738-9736  
 E-mail: sales@liteline.com • Website: liteline.com

Product specifications subject to change without notice.

© Copyright 2010 Liteline Corporation.  
 REV004-4.22.10