



**CEILING MOUNTED
SECURITY LIGHTING
INDOOR MID SIZE**
Multi Tap
CMM-175-MH-MT



PROJECT	Canadalite.com
FIXTURE TYPE	
MODEL	
LAMP	
CONTACT/TELEPHONE	1(888)887-7038

Specifications

Description

Indoor ceiling mounted mid size security light, CUL listed for damp location. Designed for garage or indoor applications. 175W Metal Halide Multi Tap (120/277/347V) configuration.

Lamp Wattage / Type

- Supplied with 175W clear medium base, BD17 MH.

Features

- Designed for commercial applications.
- Fast and easy mounting to reduce installation cost.
- UV stabilized polycarbonate diffuser gives strength against breakage.
- Powder coated steel reflector provides low glare visibility.

Housing

- Die-cast aluminum housing designed for maximum heat dissipation.
- Low profile design to give maximum underside clearance.
- Electrostatic powder finish in bronze and white.

Electrical

- HID ballast, class "H" insulation, available as high power factor with multi tap input configuration 120/277/347V.
- Capable of starting from -20°C.
- Prewired for 347V.

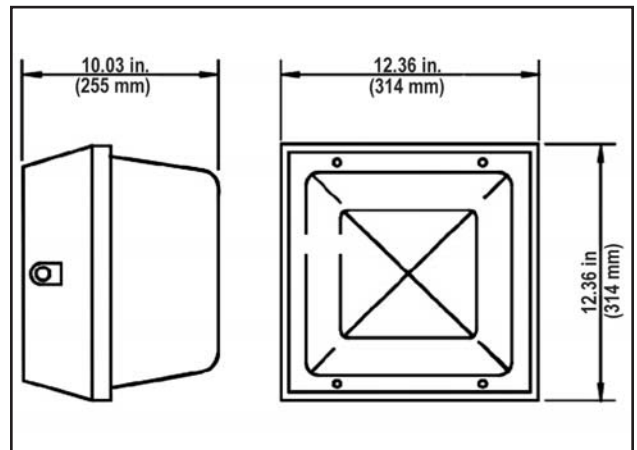
Dimensions & Ordering Guide

Model

CMM-175-MH-MT-BR
CMM-175-MH-MT-WH

Description

Bronze Housing
White Housing
• 175W Multi Tap 120/277/347V MH ceiling mount security light designed for indoor damp location applications.



Listings

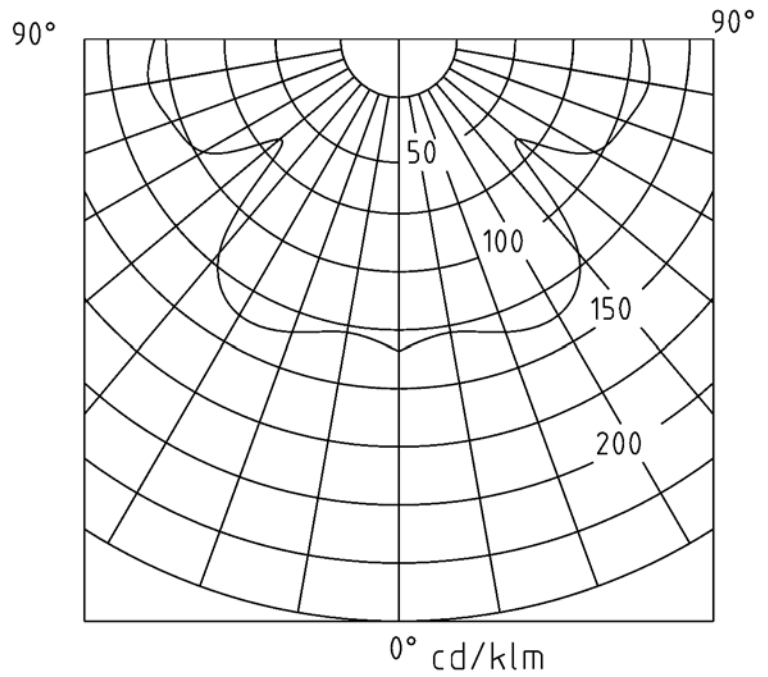


LITELINE CORPORATION

8 Abacus Road, Brampton, Ontario, Canada L6T 5B7
Tel: 416-996-1856 • Fax: 905-794-1990 / 1-888-738-9736
E-mail: sales@liteline.com • Website: www.liteline.com

Product specifications subject to change without notice.

CMM-175-MH-MT
CEILING MOUNTED SECURITY LIGHTING
INDOOR MID SIZE



Listings



LITELINE CORPORATION
8 Abacus Road, Brampton, Ontario, Canada L6T 5B7
Tel: 416-996-1856 • Fax: 905-794-1990 / 1-888-738-9736
E-mail: sales@liteline.com • Website: www.liteline.com

Product specifications subject to change without notice.