



**CEILING MOUNTED  
SECURITY LIGHTING  
INDOOR MID SIZE**  
*Multi Tap*  
**CMM-150-HPS-MT**



PROJECT	Canadalite.com
FIXTURE TYPE	
MODEL	
LAMP	
CONTACT/TELEPHONE	1(888)887-7038

**Specifications**

**Description**

Indoor ceiling mounted mid size security light, CUL listed for damp location. Designed for garage or indoor applications. 150W High Pressure Sodium Multi Tap (120/277/347V) configuration.

**Lamp Wattage / Type**

- Supplied with 150W clear medium base, B17 HPS.

**Features**

- Designed for commercial applications.
- Fast and easy mounting to reduce installation cost.
- UV stabilized polycarbonate diffuser gives strength against breakage.
- Powder coated steel reflector provides low glare visibility.

**Housing**

- Die-cast aluminum housing designed for maximum heat dissipation.
- Low profile design to give maximum underside clearance.
- Electrostatic powder finish in bronze and white.

**Electrical**

- HID ballast, class "H" insulation, available as normal power factor with multi tap input configuration 120/277/347V.
- Capable of starting from -20°C.
- Prewired for 347V.

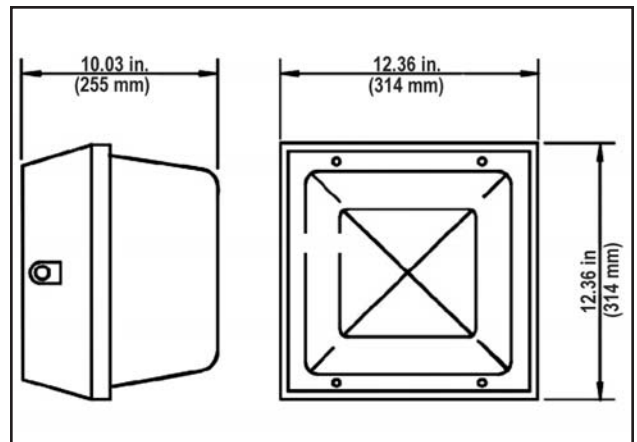
**Dimensions & Ordering Guide**

**Model**

- CMM-150-HPS-MT-BR
- CMM-150-HPS-MT-WH

**Description**

- Bronze Housing
- White Housing
- 150W Multi Tap 120/277/347V HPS ceiling mount security light designed for indoor damp location applications.



**Listings**



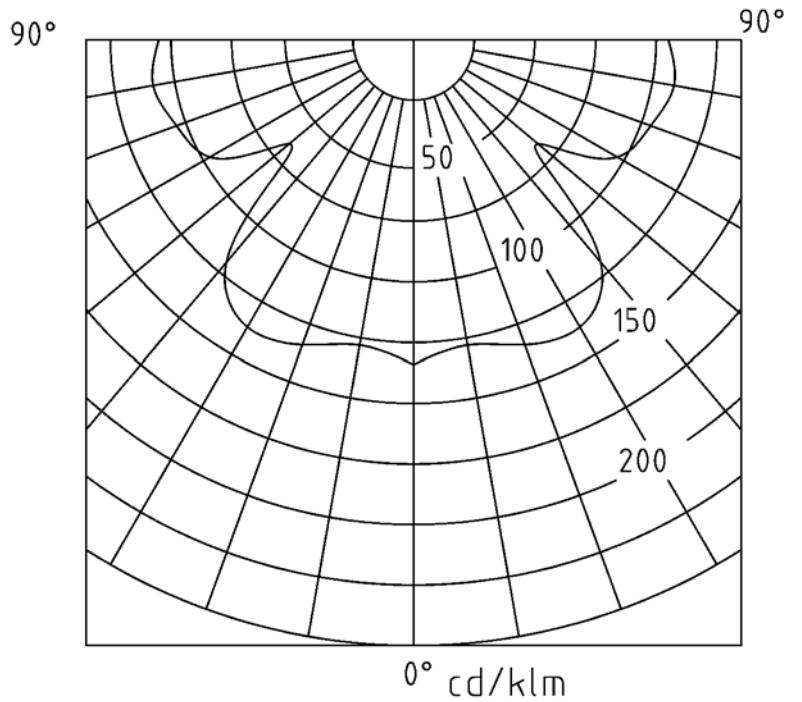
**LITELINE CORPORATION**

8 Abacus Road, Brampton, Ontario, Canada L6T 5B7  
Tel: 416-996-1856 • Fax: 905-794-1990 / 1-888-738-9736  
E-mail: sales@liteline.com • Website: www.liteline.com

**Product specifications subject to change without notice.**



**CMM-150-HPS-MT**  
CEILING MOUNTED SECURITY LIGHTING  
INDOOR MID SIZE



Listings



**LITELINE CORPORATION**  
8 Abacus Road, Brampton, Ontario, Canada L6T 5B7  
Tel: 416-996-1856 • Fax: 905-794-1990 / 1-888-738-9736  
E-mail: sales@liteline.com • Website: www.liteline.com

Product specifications subject to change without notice.