



**HID FLOOD
LIGHT FIXTURE
OUTDOOR MID SIZE
FLM-150-HPS-120**



PROJECT	Canadalite.com
FIXTURE TYPE	
MODEL	
LAMP	
CONTACT/TELEPHONE	1(888)887-7038

Specifications

Description

Outdoor mid size HID flood light fixture, CUL listed for wet location. Designed for easy installation with 150W High Pressure Sodium for 120V application.

Lamp Wattage / Type

- Supplied with 150W clear medium base, B17 HPS.

Features

- Designed for residential/commercial applications.
- Fast and easy mounting to reduce installation cost.
- High temperature, shock resistant tempered glass lens.
- Aluminum reflector diffuser provide effective light distribution.
- Adjustable die-cast swivel arm for horizontal aiming.

Housing

- Die-cast aluminum housing designed for maximum heat dissipation.
- Fully gasket housing to prevent water, dirt, and bugs from entering the optical compartment.
- Electrostatic powder finish in bronze.

Electrical

- HID ballast, class "H" insulation, available as normal power factor with 120V input.
- Capable of starting from -30°C.

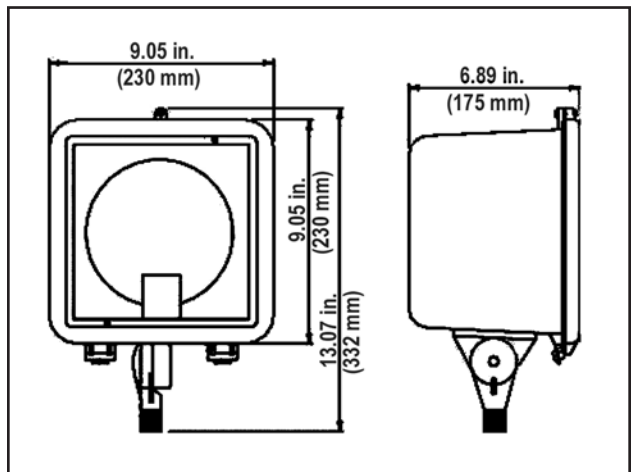
Dimensions & Ordering Guide

Model

FLM-150-HPS-120-BR

Description

Bronze Housing
 • 150W 120V HPS mid size energy saving flood light designed for outdoor wet location applications



Listings



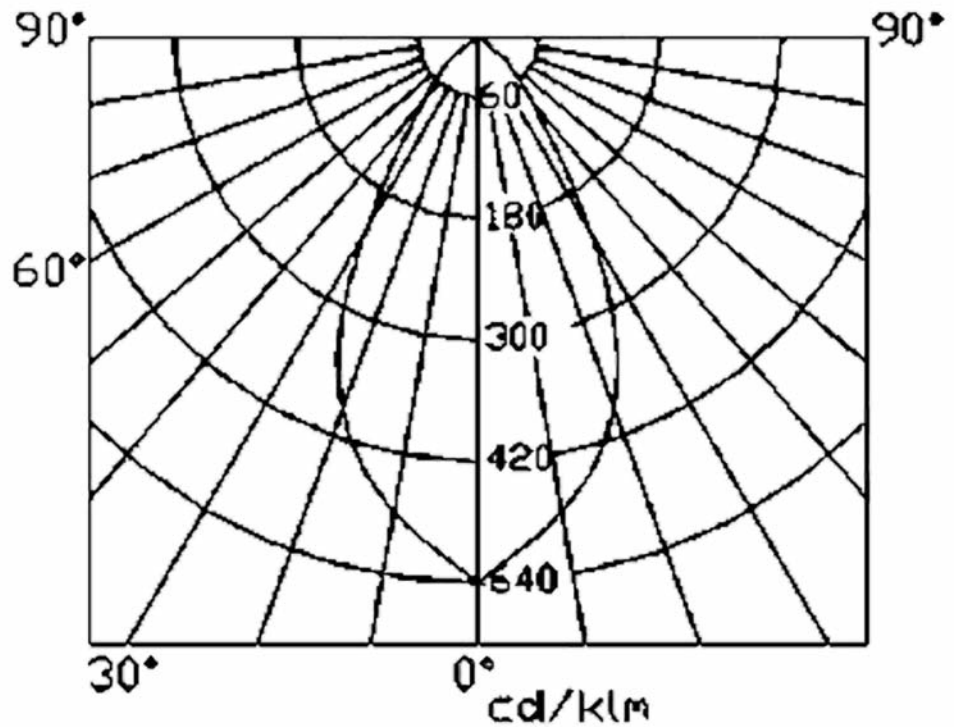
LITELINE CORPORATION

8 Abacus Road, Brampton, Ontario, Canada L6T 5B7
 Tel: 416-996-1856 • Fax: 905-794-1990 / 1-888-738-9736
 E-mail: sales@liteline.com • Website: liteline.com

Product specifications subject to change without notice.

FLM-150-HPS-120

**HID FLOOD LIGHT FIXTURE
OUTDOOR MID SIZE**



Listings



LITELINE CORPORATION

8 Abacus Road, Brampton, Ontario, Canada L6T 5B7
Tel: 416-996-1856 • Fax: 905-794-1990 / 1-888-738-9736
E-mail: sales@liteline.com • Website: liteline.com

Product specifications subject to change without notice.