



AutoGuard® 2.4GHz Wireless Receiver

GMSR



PROJECT **Canadalite.com**

FIXTURE TYPE

MODEL

LAMP

CONTACT/TELEPHONE **1(888)887-7038**

Specifications

Description

GMSR is a 4-channel wireless receiver to be used with AutoGuard® Motion Tracker with Camera (i.e. GMSCR150 and GMSCR300). This wireless receiver is able to monitor up to 4 different motion tracker units. The 2.4GHz AutoGuard® wireless receiver is complete with a USB cable, video cable, installation CD and a power supply adapter.

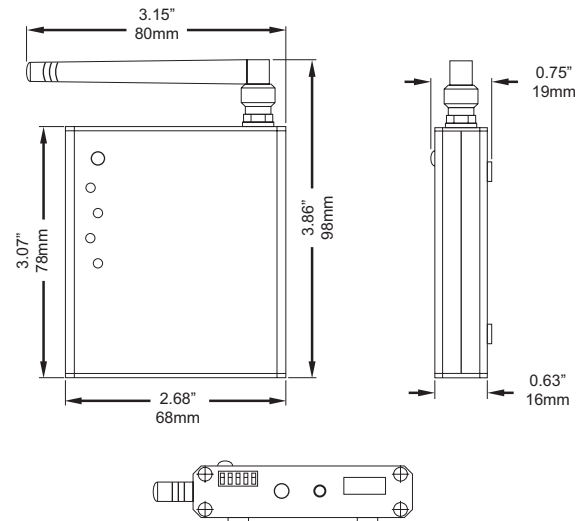
Features

- Power supply: 5VDC / 1000mA
- Receiving frequency range: ISM 2,400MHz ~ 2,468MHz
 - * CH1 = 2,414MHz
 - * CH2 = 2,432MHz
 - * CH3 = 2,450MHz
 - * CH4 = 2,468MHz
- Intermediate frequency: 480MHz
- Frequency stabilization: ±100ppm
- Demodulation type: FM
- RF Port Impedance (Antenna): 50 ohm SMA
- Receiving sensitivity: ≤-85 dBm
- Local leakage at RF input terminal: ≤-55 dBm
- Video output signal level: 1.1V +/- 0.2Vpp @ 75 ohm, S/N > 38 dB
- Audio output signal level: 3.5V +/- 1Vpp @ 600 ohm
- Consumption current (max.): 190mA
- USB consumption current: < 400mA
- Unobstructed effective range: 100m (330 ft.) approx.
- Pixel resolutions: 352x288 / 352x576 / 720x576
- Frame rate: 10~30 fps
- Operating temperature: -10°C ~ +50°C / +14°F ~ +122°F
- Operating humidity: 15%~85% relative humidity

Listings



Dimensions & Ordering Guide



LITELINE CORPORATION

8 Abacus Road, Brampton, Ontario, Canada L6T 5B7
 Tel: 416-996-1856 • Fax: 905-794-1990 / 1-888-738-9736
 E-mail: sales@liteline.com • Website: www.liteline.com

Product specifications subject to change without notice.

© Copyright 2009 Liteline Corporation.
 REV. 051-06.25.09