



AutoGuard® Motion Tracker 150W

GMSA150



PROJECT	Canadalite.com
FIXTURE TYPE	
MODEL	
LAMP	
CONTACT/TELEPHONE	1(888)887-7038

Specifications

Description

GMSA150 is a 150W 2-mode motion tracker light. This wall mounted fixture is weather resistant. The AutoGuard® Motion Tracker is complete with a wireless alarm, a halogen lamp and mounting hardware. Available in black and white.

Motion Sensor Features

- 220° combined motion sensing in 3 zones:
 - * Zone 1: 60 degrees;
 - * Zone 2: 100 degrees;
 - * Zone 3: 60 degrees.
- 10m sensor range.
- Passive infrared (PIR) based detection.

Fixture Features

- Fixture operating temperature: -30°C ~ +50°C / -22°F ~ +122°F.
- Fixture operating humidity: 15%~85% relative humidity.

Operation Mode

- 2-mode operation.
- Energy-Saving mode: heat/motion detection, alarm and light works at night.
- 24HR mode: heat/motion detection, alarm and light works all day (24 hours).

Lamp

- Double ended 78mm linear halogen lamp, 150W max.

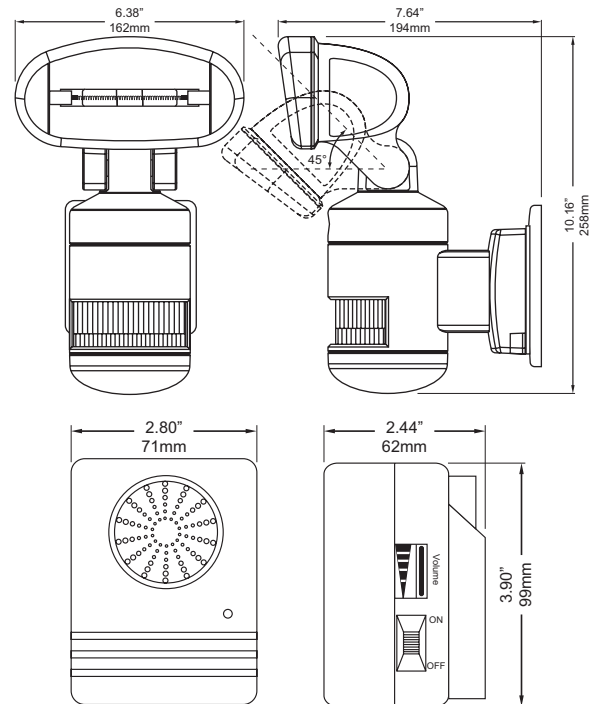
Wireless Alarm Features

- RF indoor DC alarm receiver.
- Low battery indicator.
- Volume control, max. 85 dB.
- On/Off switch.
- 2 x AA alkaline batteries.

Listings



Dimensions & Ordering Guide



LITELINE CORPORATION

8 Abacus Road, Brampton, Ontario, Canada L6T 5B7
 Tel: 416-996-1856 • Fax: 905-794-1990 / 1-888-738-9736
 E-mail: sales@liteline.com • Website: www.liteline.com

Product specifications subject to change without notice.