



TRACK LIGHTING CONNECTORS

X-CONNECTOR

XC6104



PROJECT

FIXTURE TYPE

MODEL

LAMP

CONTACT/TELEPHONE

Specifications

Description

X-Connector, connects four track sections at 90° in a cross configuration. Available in four colours: Black, White, Brushed Brass and Brushed Nickel.

Features

- Low profile aesthetic design
- Solid 12-gauge conductors
- Quadruple track line power connection

Electrical

System Electrical Rating: 20A, 120V, 60Hz

Compatibility

Liteline Track system is compatible with all Liteline Track, accessories and connectors.

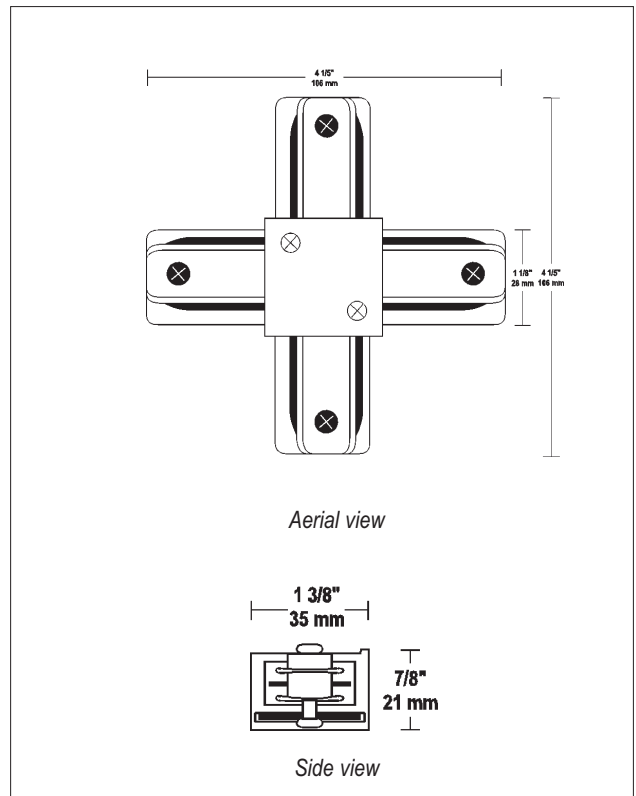
Dimensions & Ordering Guide

Model

XC6104-BK
XC6104-WH
XC6104-BB
XC6104-BN

Colour

Black
White
Brushed Brass
Brushed Nickel



All dimensions are in inches/ millimeters

Listings



LITELINE CORPORATION

8 Abacus Road, Brampton, Ontario, Canada L6T 5B7
Tel: 416-996-1856 • Fax: 905-794-1990 / 1-888-738-9736
E-mail: sales@liteline.com • Website: www.liteline.com

Product specifications subject to change without notice.