

LED-8030 High Bay / Low Bay / Site

150W = 400W
LED MH / HPS

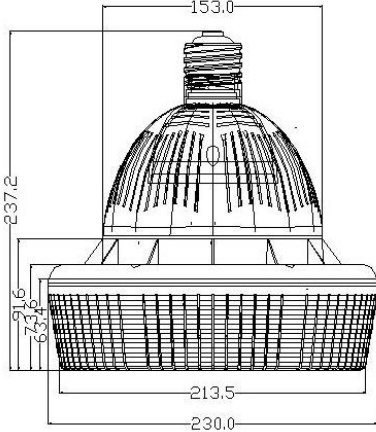
SKU No. (USA)
LED-8030M30
LED-8030M42
LED-8030M57

SKU No. Canada
LED-8030M30C 150W, 3000K
LED-8030M42C 150W, 4200K
LED-8030M57C 150W, 5700K

Description:

150W LED retrofit design replaces MH and HPS lamps up to 400w. Design features both down and side mounted LEDs delivering a wide, uniform light distribution. Suitable for fully enclosed high bay, low bay, canopy and other area fixtures. UL1598C classification maintains modified fixture UL certification.

- 150W power consumption
- Replaces up to a 400W HID
- 360° Illumination
- 120-277VAC, Non-Dimmable (USA)
- 120-347VAC, Non-Dimmable (Canada)
- 120-250VDC
- Available in 3000K, 4200K or 5700K CCT
- >80 CRI
- 50,000 hr. rated L70 LED life
- Operating temp: -40°F - 122°F
- Double Insulated
- Patented under 29/454,181
- UL Classified & Listed (US & CA) Damp Locations and rated for enclosed fixtures
- 5 Year warranty



Applications:

LED High Bay / Low Bay LED for HID retrofit lamps lower energy costs, bulb and ballast replacement costs and also can greatly reduce costly equipment rental when re-lamping HID lamps on and off cycle. LED for HID retrofits will also eliminate lamp disposal issues due to the mercury content of many HID lamps.

- High Bay
- Area / Site

Packaging: 2/Master Carton

Unit : 11.6" x 11.6 x 12.1"
Master: 23.8" x 12.2 x 12.7"

Installation Notes:

- When installing LED-8000 series retrofit lamps within HID fixtures, ballast must be bypassed when present.
- 8000 series retrofits are UL damp rated, sealing the fixtures after installation will deliver best results.
- Installing surge/lightning protectors is highly recommended and helps to eliminate premature driver failure caused by surges and other power fluctuations.

Technical Specifications

Bulb Type	HID Retrofit	Mounting	E39
Bulb Material	Aluminum/ Polycarbonate	LEDs:	398 Mason #5630 SMD LED's
Power Consumption	150 watts	Beam Angle	360° Illumination
Lumens	3000K: 10000 Lm 4200K: 13874 Lm 5700K: 13725 Lm	Dimmable	No
Efficacy	Up to 90 LPW	Replaces	Up to 400W HID
Rated LED Life	Up to 50,000 Hrs.	CCT	3000K 4200K 5700K
Power Factor:	>99	CRI:	> 80
IR / UV	None	Mercury / Lead Content	None
Warranty	5 year Limited	Dimensions	9.2" X 9.1"

Note: All specification information falls within a ± 2% range and is subject to change without notice.

NOTE: Light Efficient Design is providing this information to the general public. Please note that all products contained herein are trademarked, copyrighted, and/or have patents pending. Any use of these designs is strictly prohibited without prior written consent. Light Efficient Design protects its proprietary information vigorously in the courts of the United States of America.



188 S. Northwest Highway • Cary, IL 60013
(847) 380-3540 • FAX: (847) 380-3542
www.led-llc.com